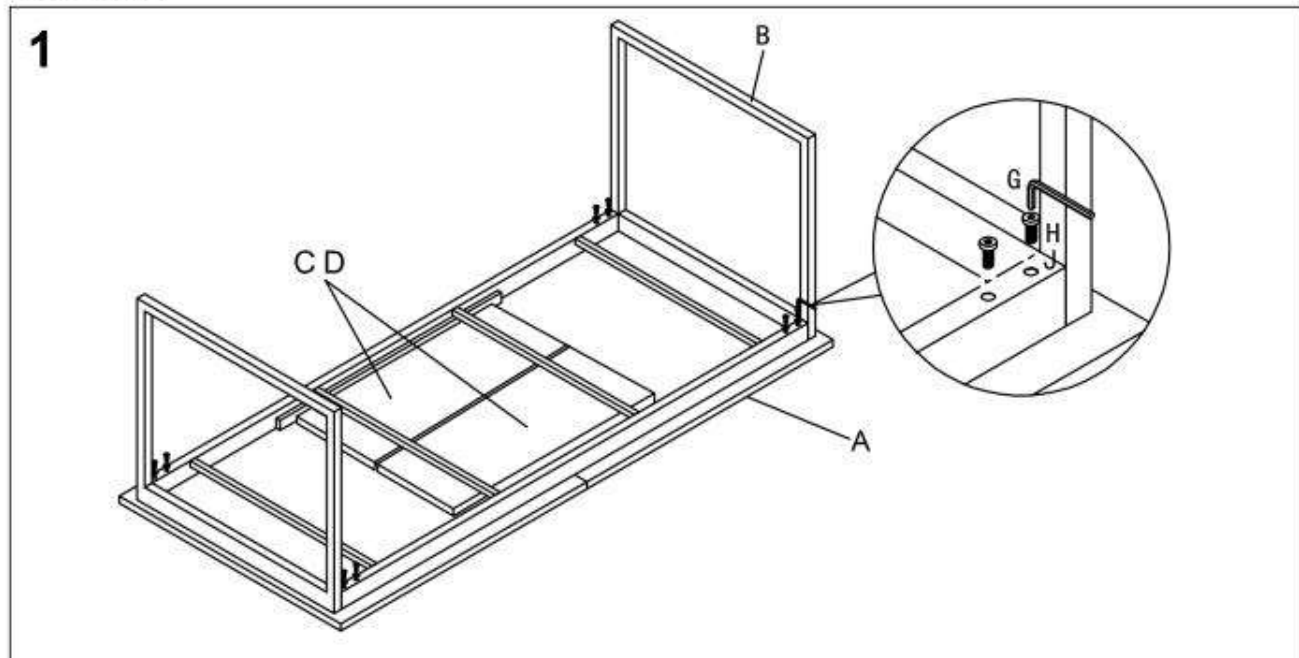
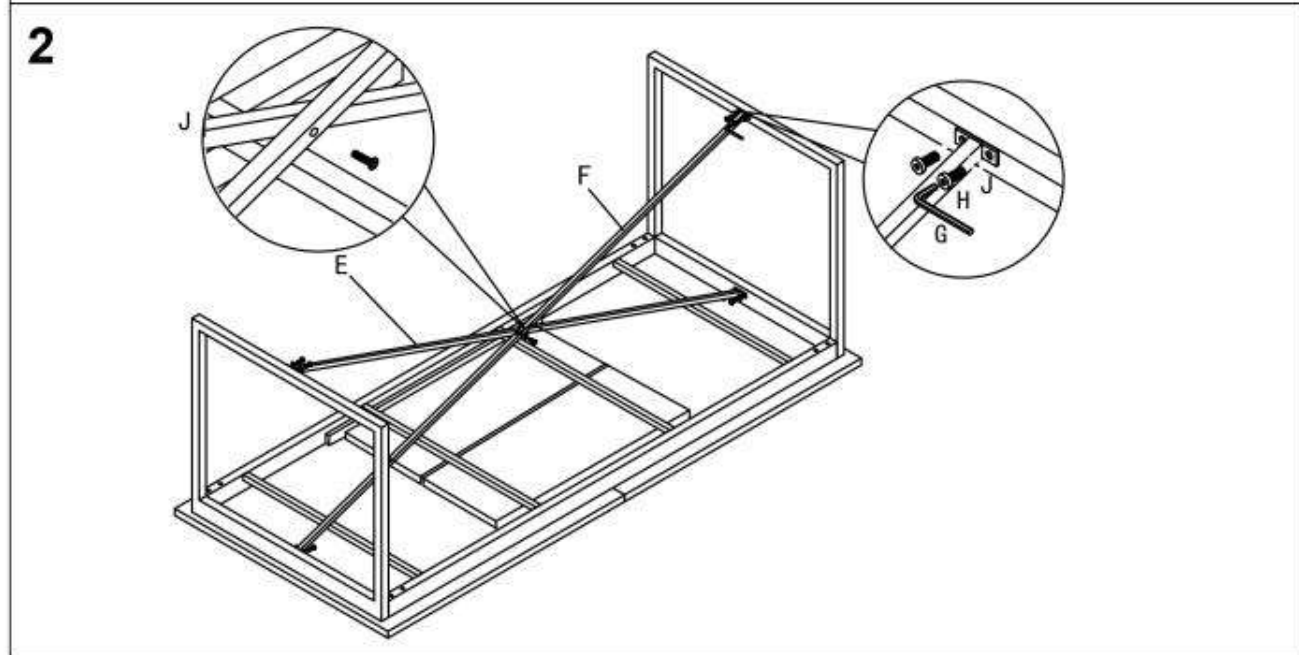


ALVARO



A	x1	B	x2	C	x2	D	x1	E	x1	F	x18
											M6x16

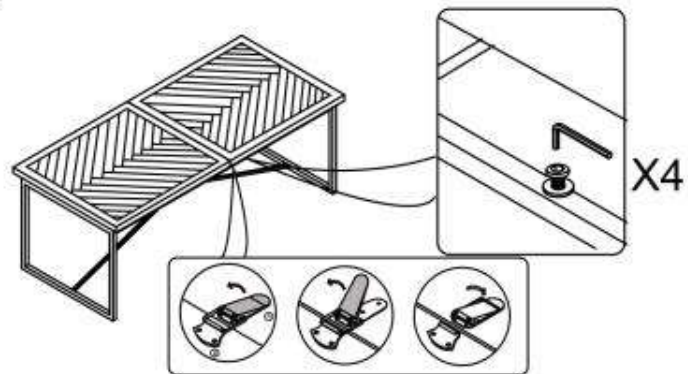
G	x1
	M6x30



max. 40 kg



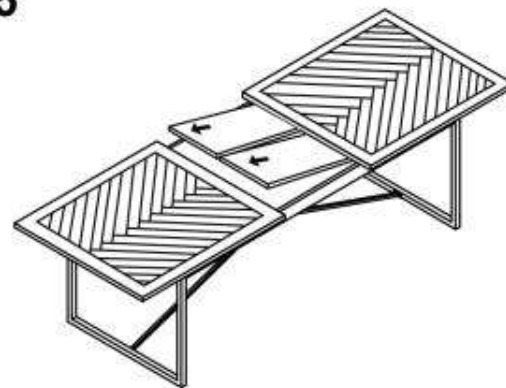
3



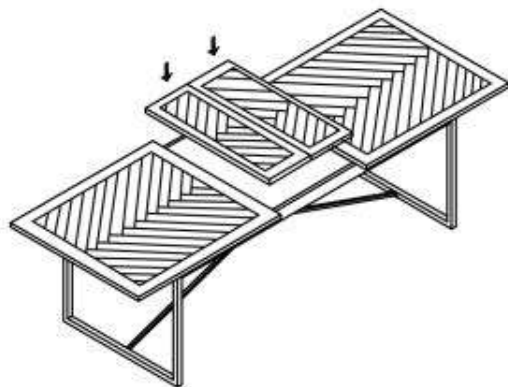
4



5



6



7

