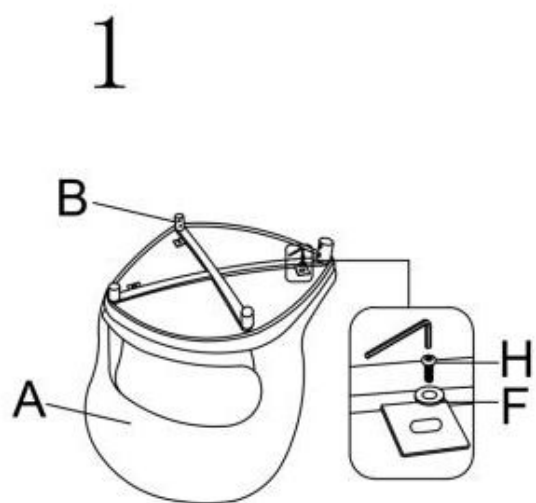
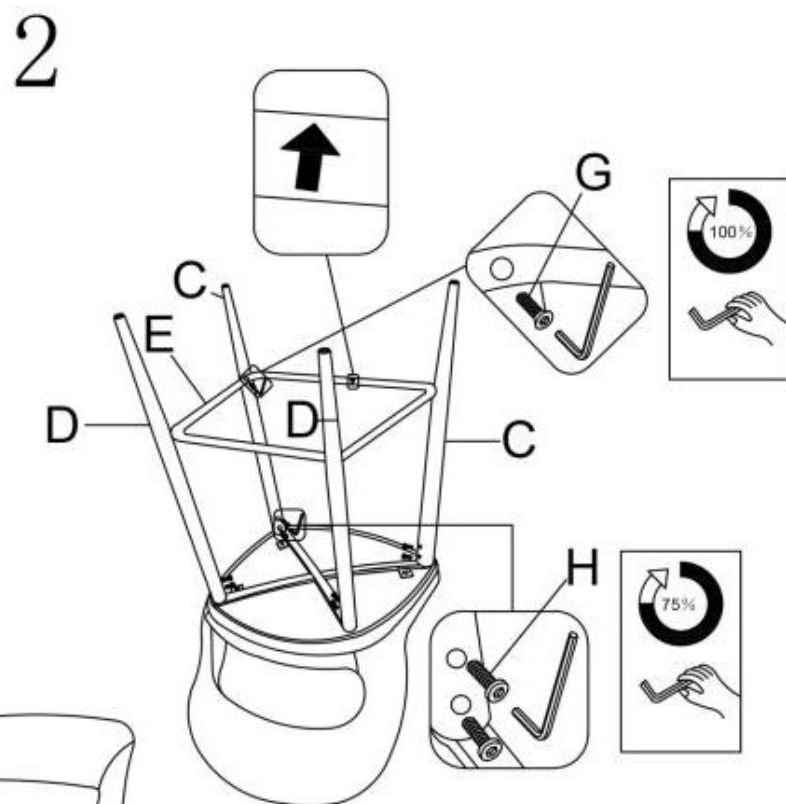










BRECHT



 max. 100 kg



A		1
B		1
C		2
D		2
E		1
F	 $\varnothing 18 \times 1,5 \text{ mm}$	4
G	 M6x30 mm	4
H	 M6x20 mm	12