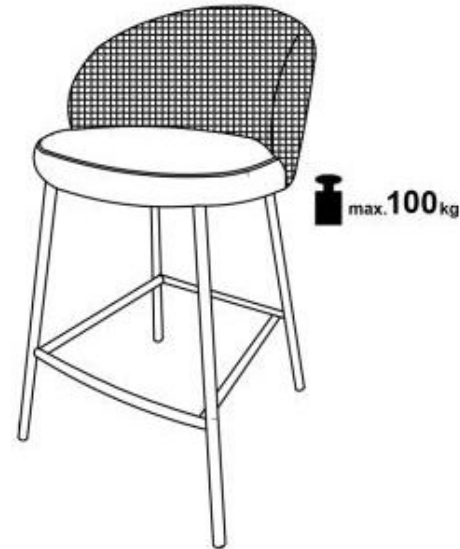
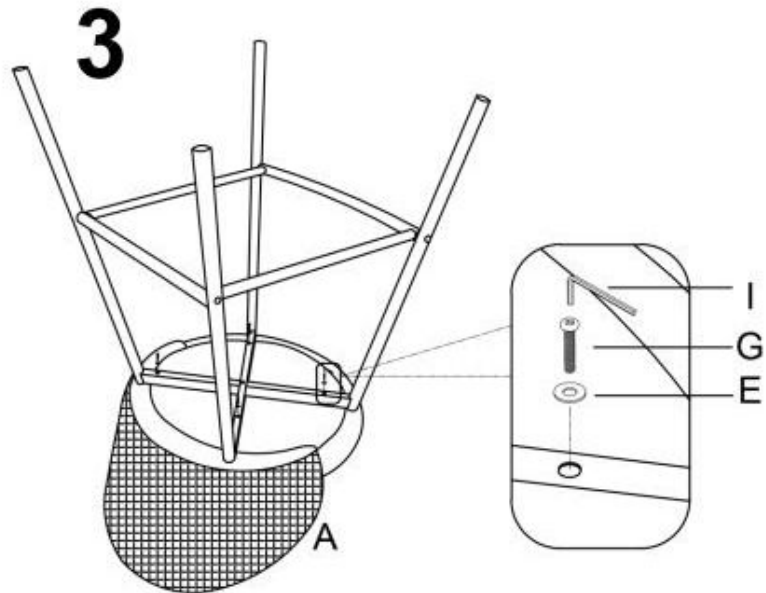
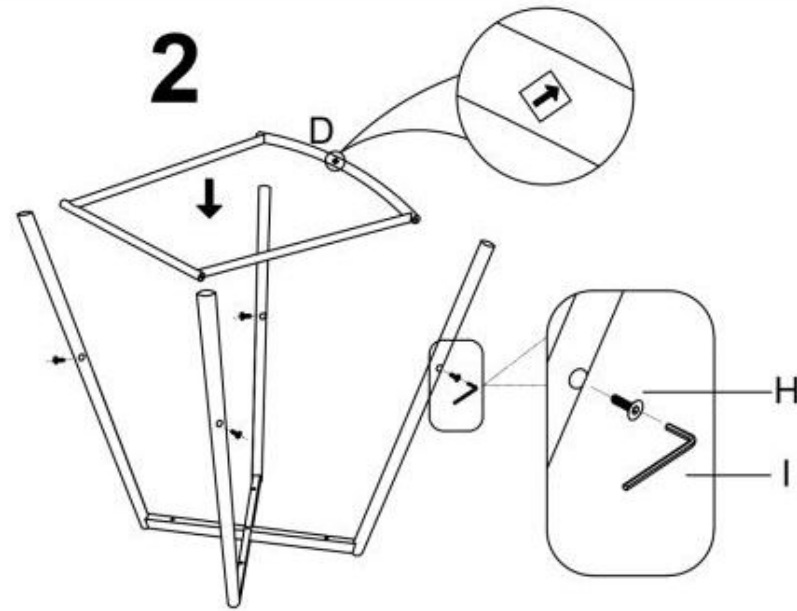
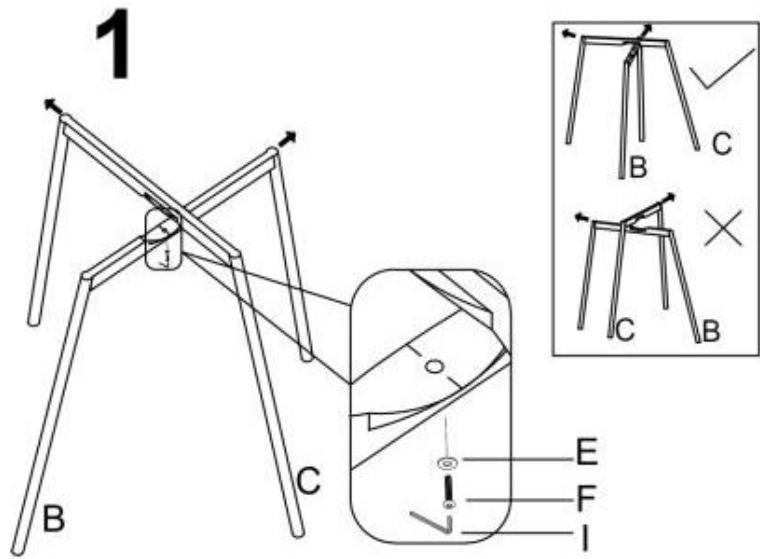


BERTOLD



A		1
B		1
C		1
D		1
E	$\varnothing 18 \times 2 \text{mm}$	5
F	M6*30mm	1
G	M6*40mm	4
H	M8*30mm	4
I		1