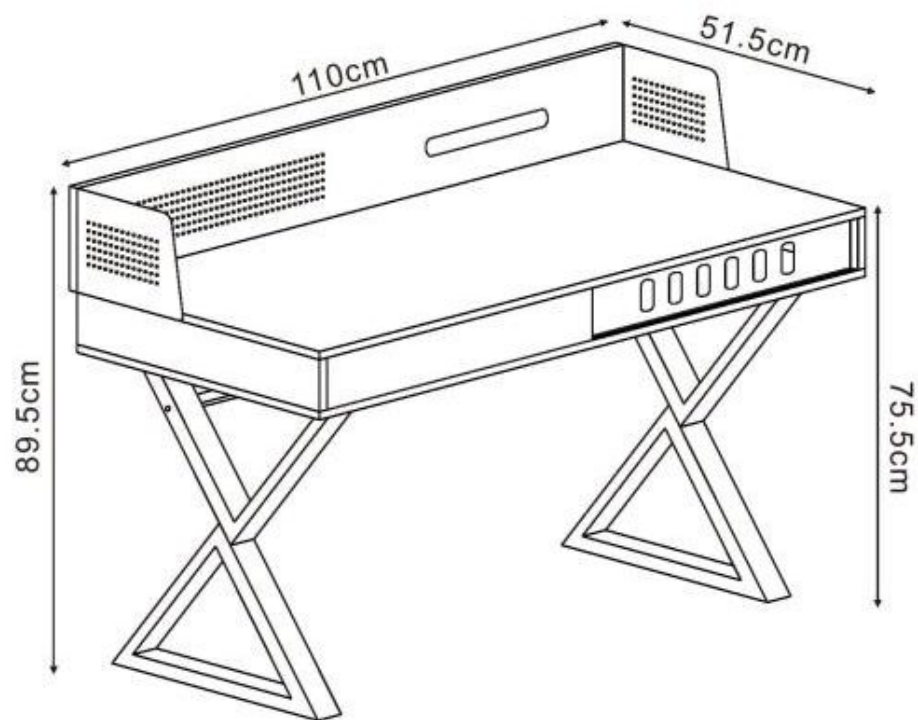
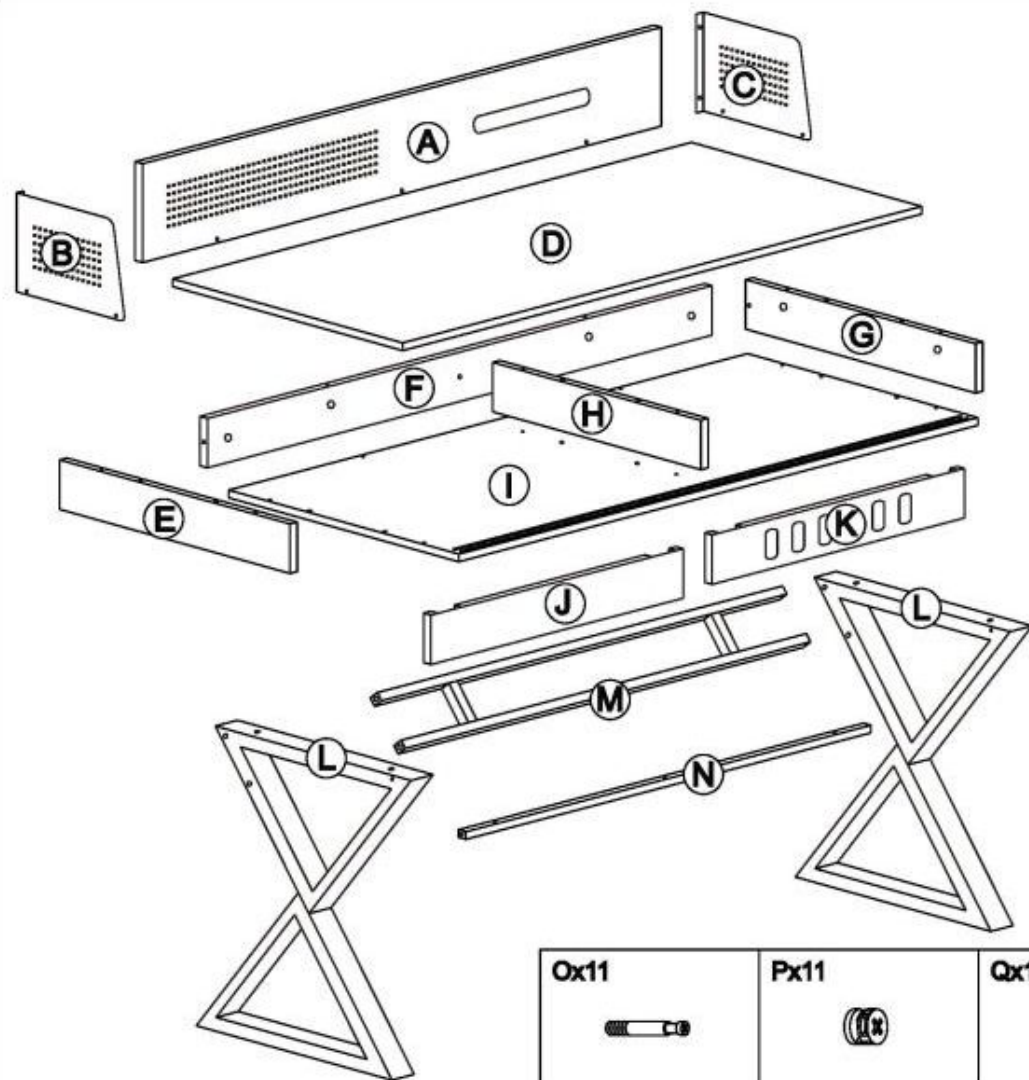
















BENSON

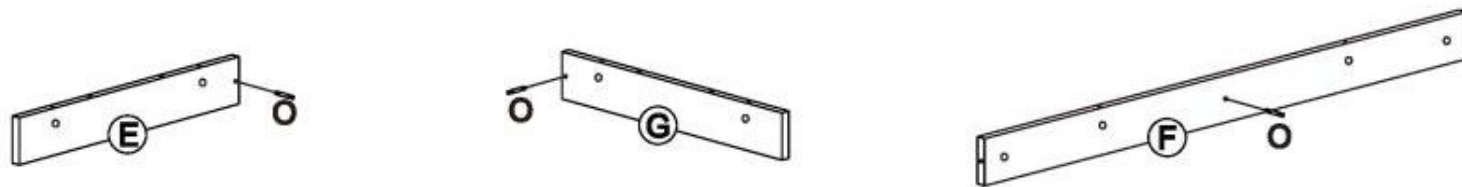


 max. 30 kg

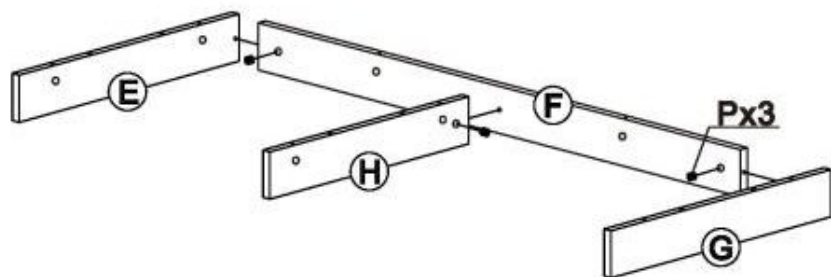


Ox11 	Px11 	Qx12 	Rx8 	Sx6  6x55mm	Tx4  6x28mm	Ux4 
Vx8  4x30mm	Wx8  4x12mm	Xx4 	Yx4 	Zx24  4x14mm	x1 	

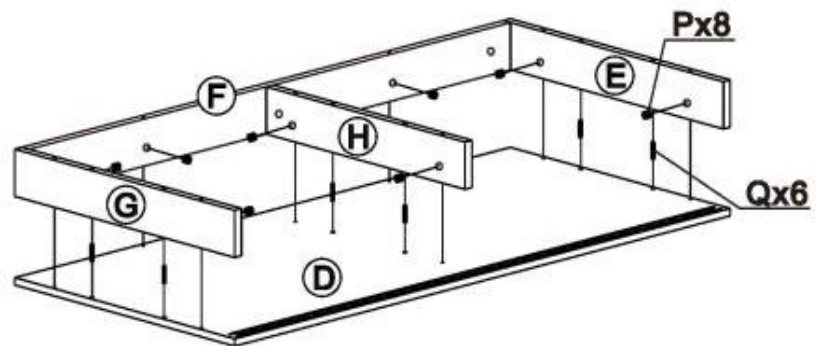
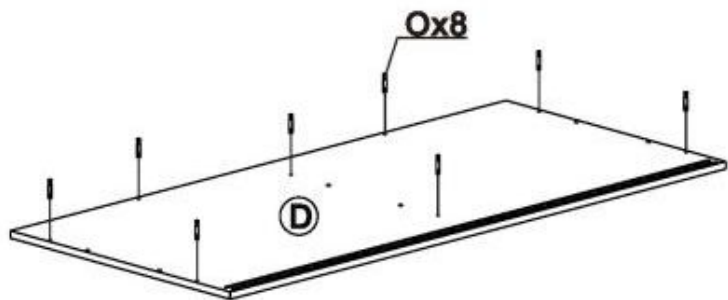
1



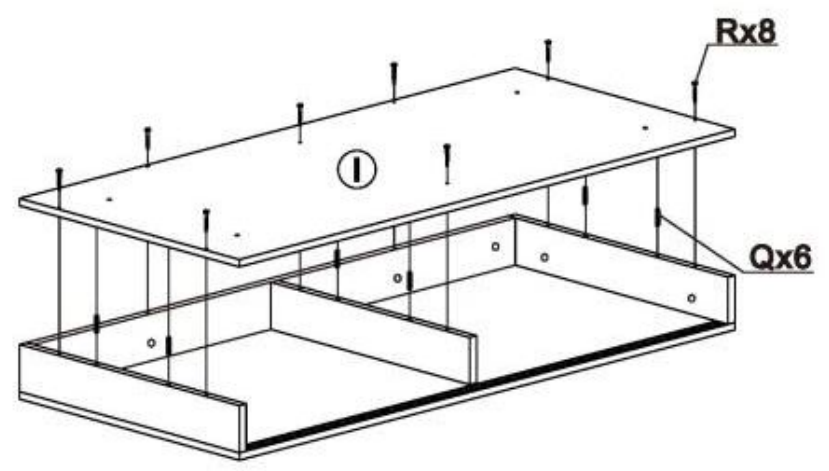
2



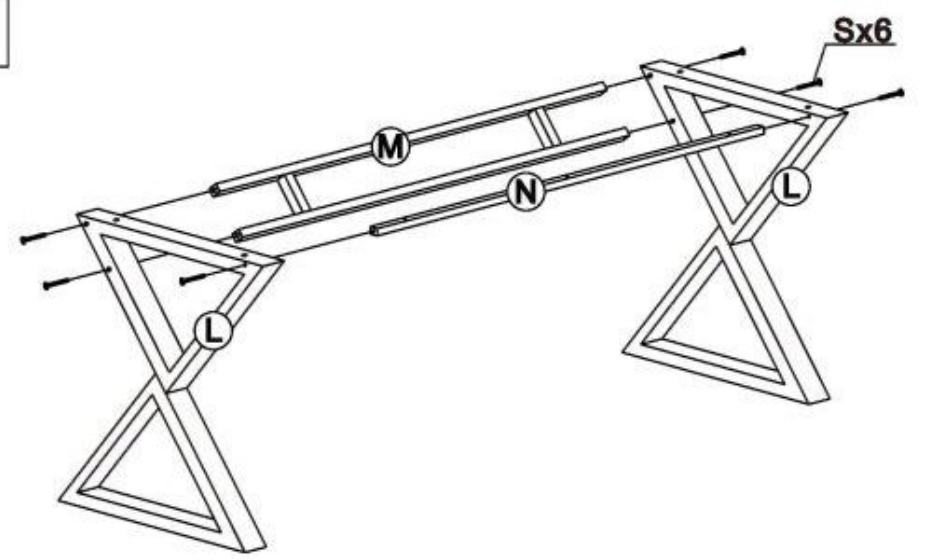
3



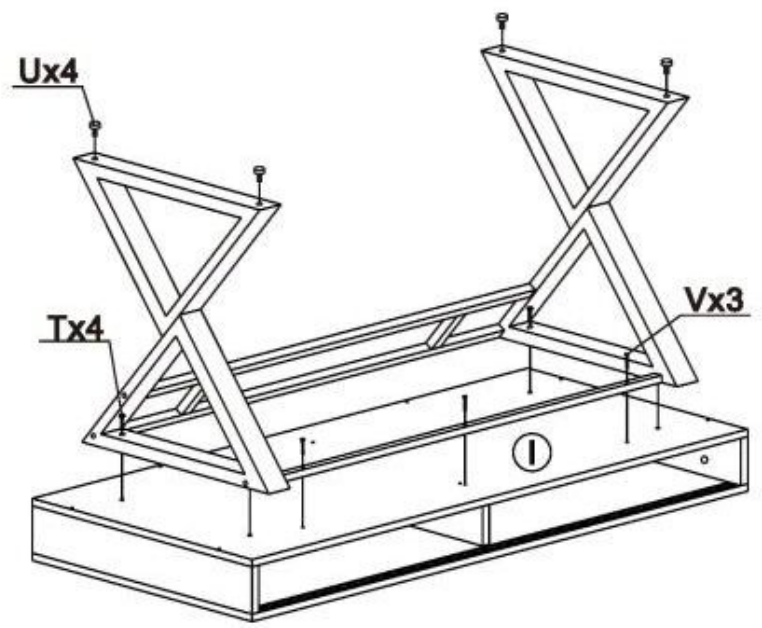
4



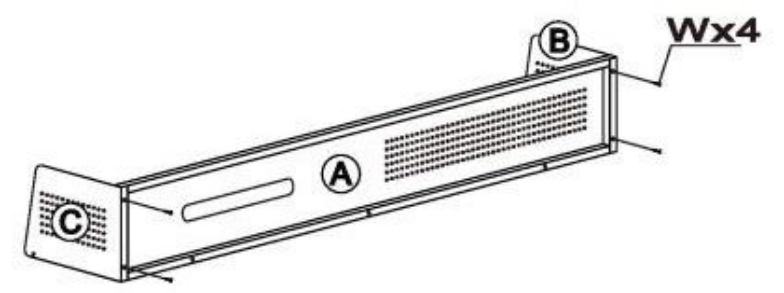
5



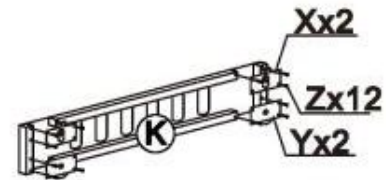
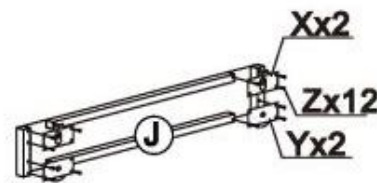
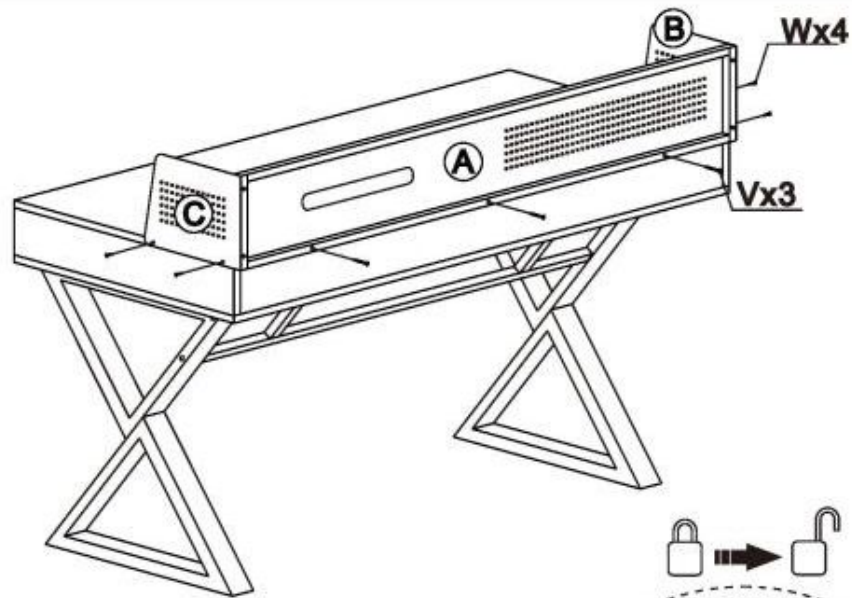
6



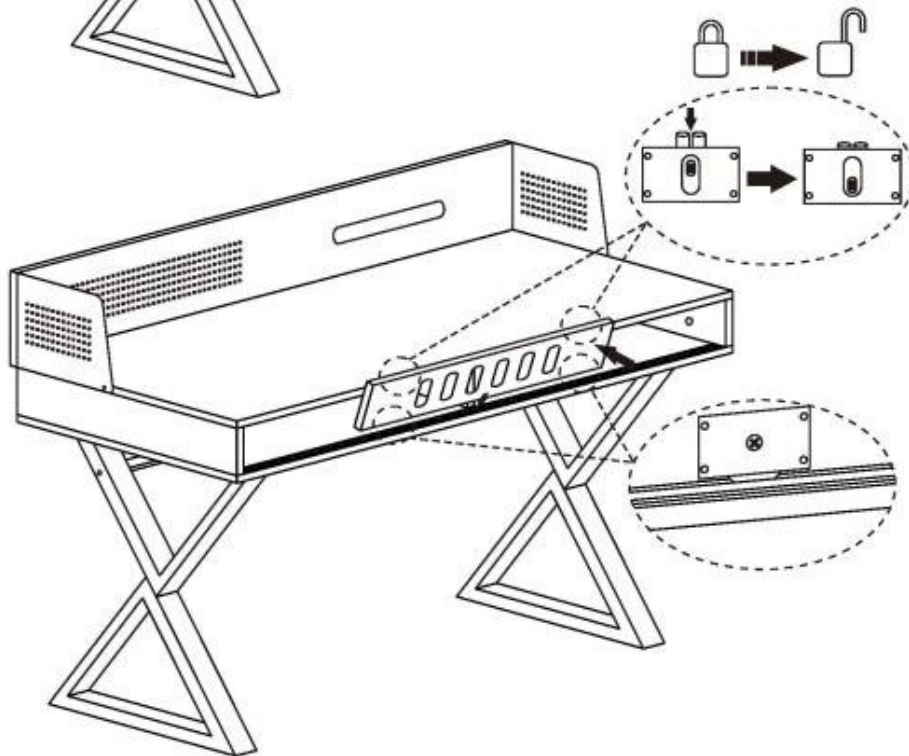
7



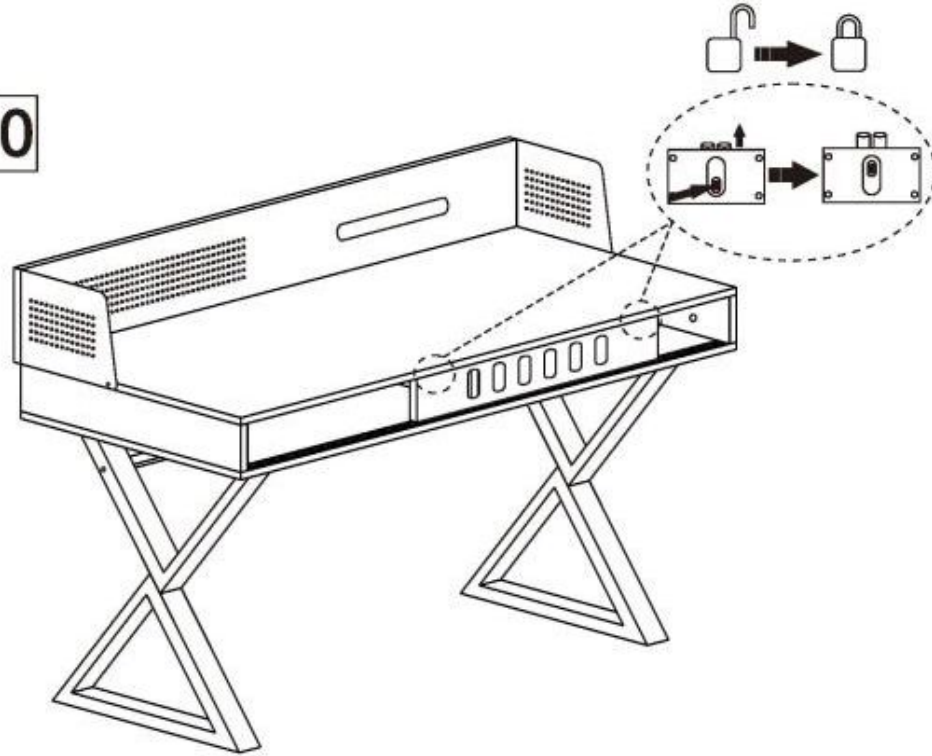
8



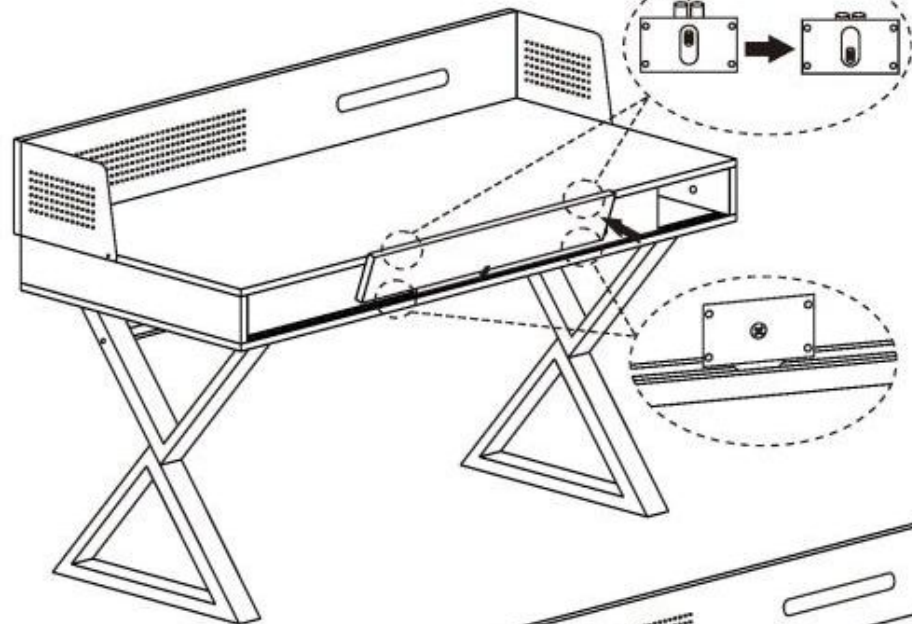
9



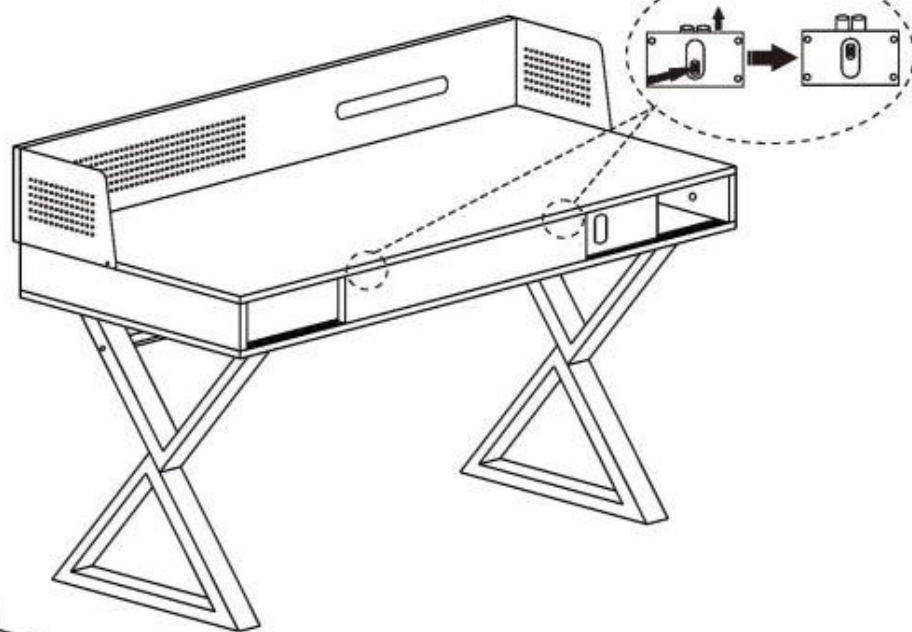
10



11



12



13

