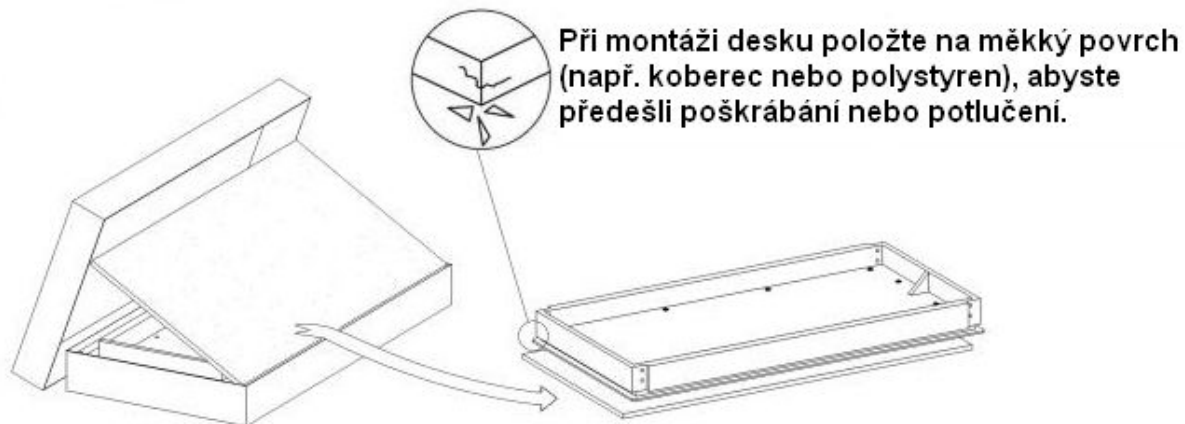
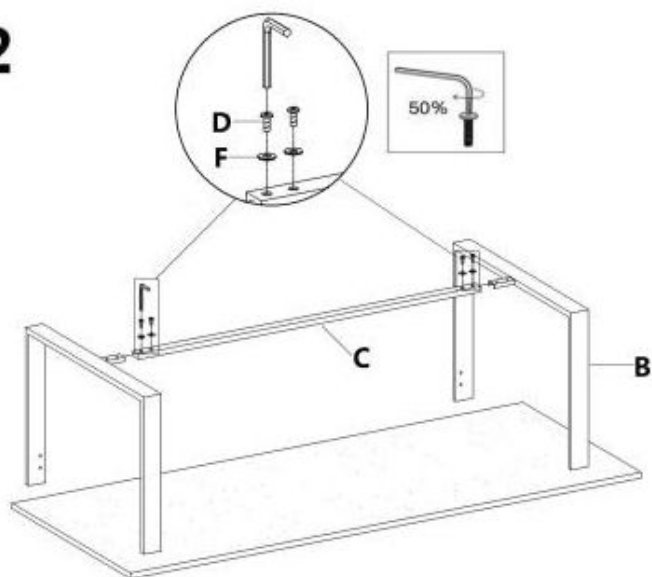


ROMANA

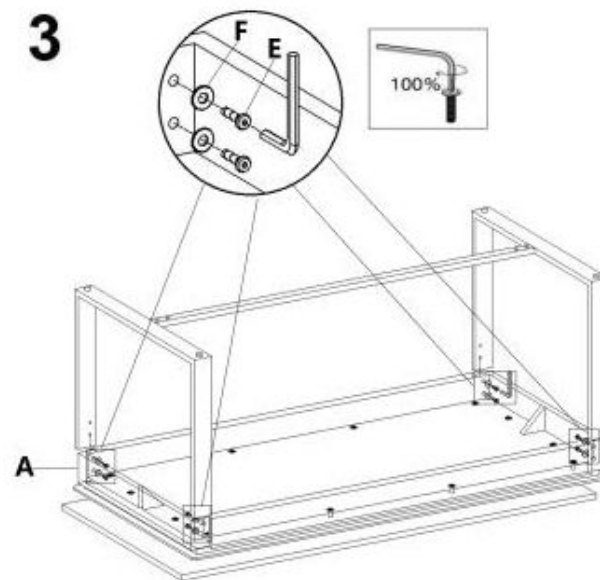
1



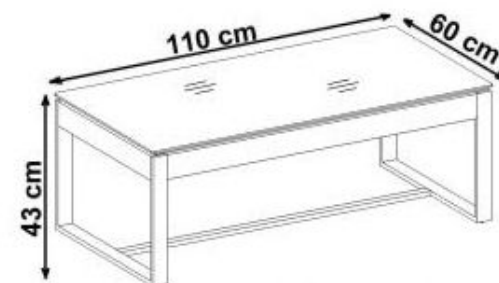
2



3



| | | |
|---|--|----|
| A | | 1 |
| B | | 2 |
| C | | 1 |
| D | | 4 |
| E | | 8 |
| F | | 12 |



max. 20 kg

v.1