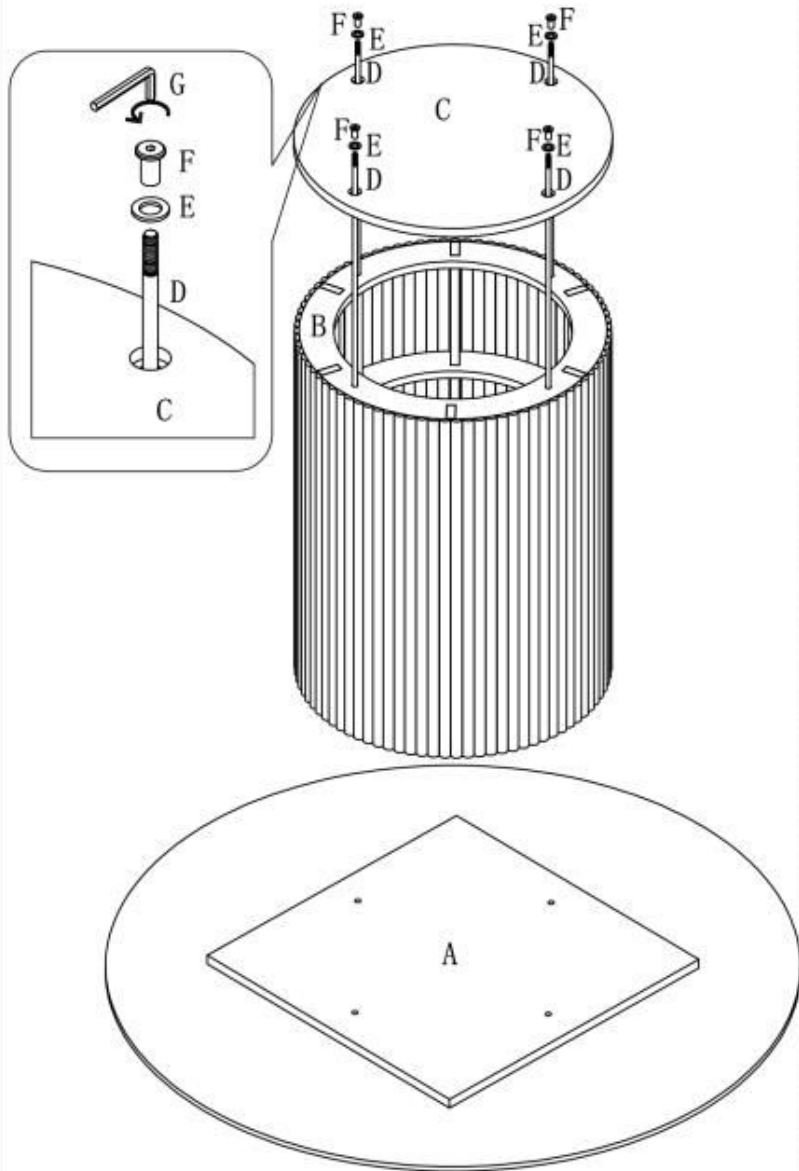
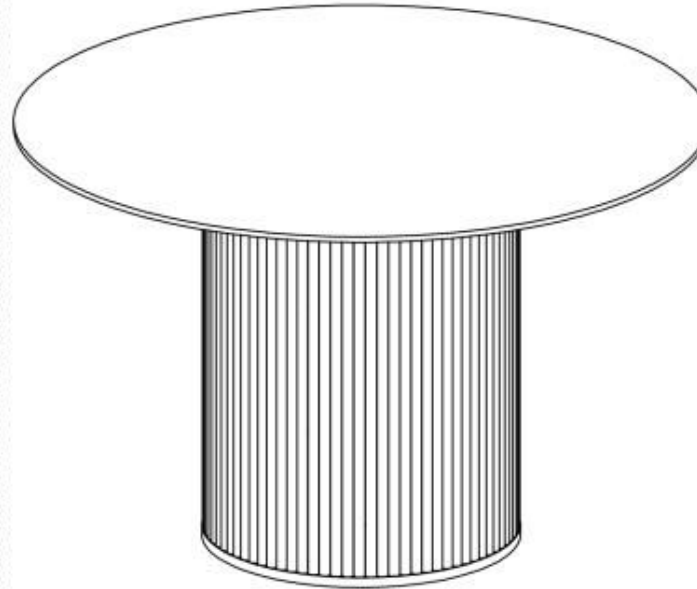


BRUNO

1



2



A		X1
B		X1
C		X1
D	 (M8x732mm)	X4
E	 ($\phi 11 \times \phi 20 \times 2\text{mm}$)	X4
F	 (M8x16mm)	X4
G	 (M5mm)	X1

max. 80 kg