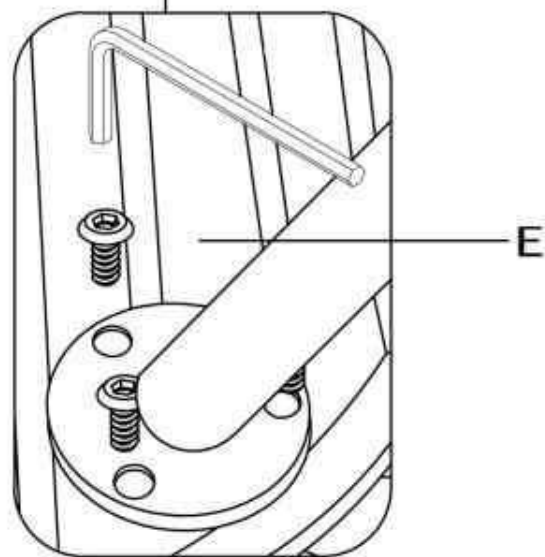
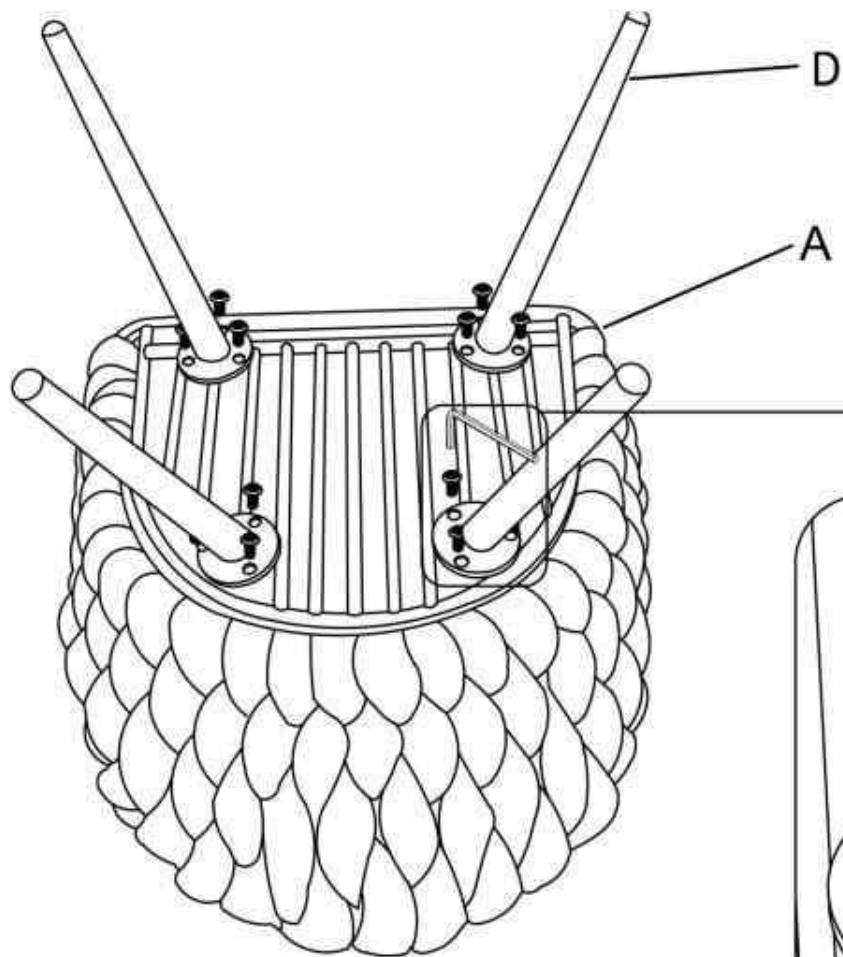





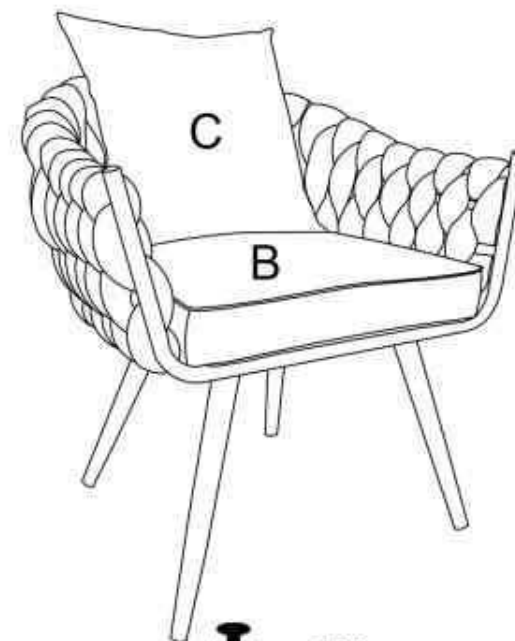



AVATAR



A		1
B		1
C		1
D		4
E	 M6x16mm	12



 max. 120 kg