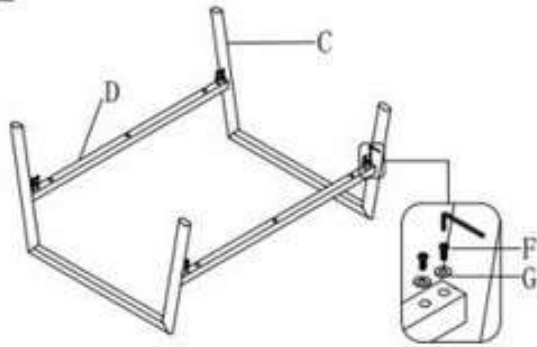
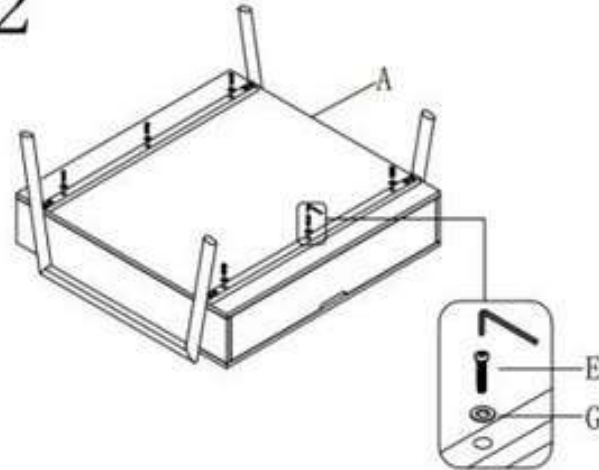


PODIUM

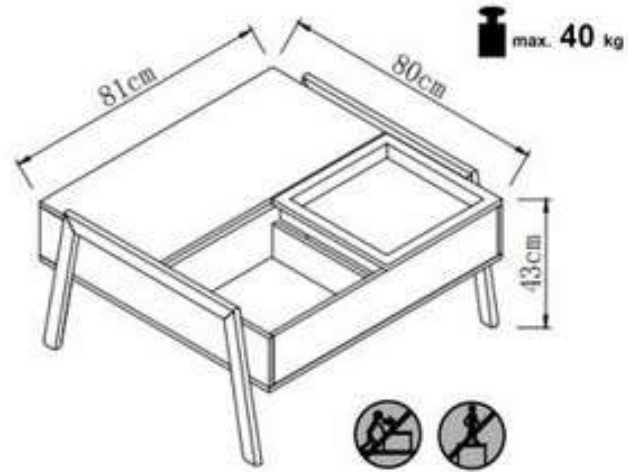
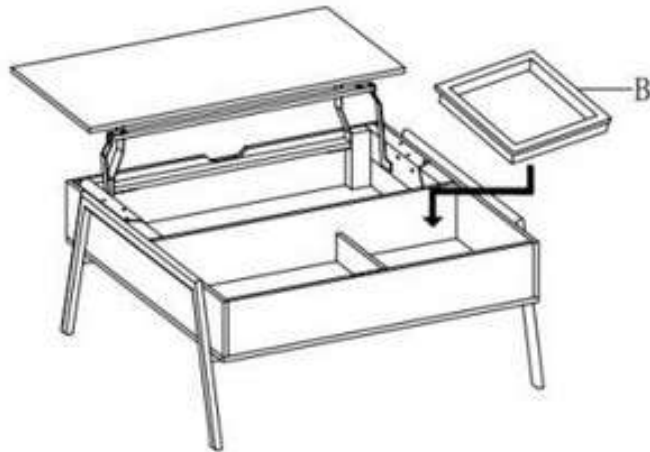
1



2



3



A		1
B		1
C		2
D		2
E	M8*40mm	6
F	M6*10mm	8
G	$\phi 18 \times 1.5$ mm	14