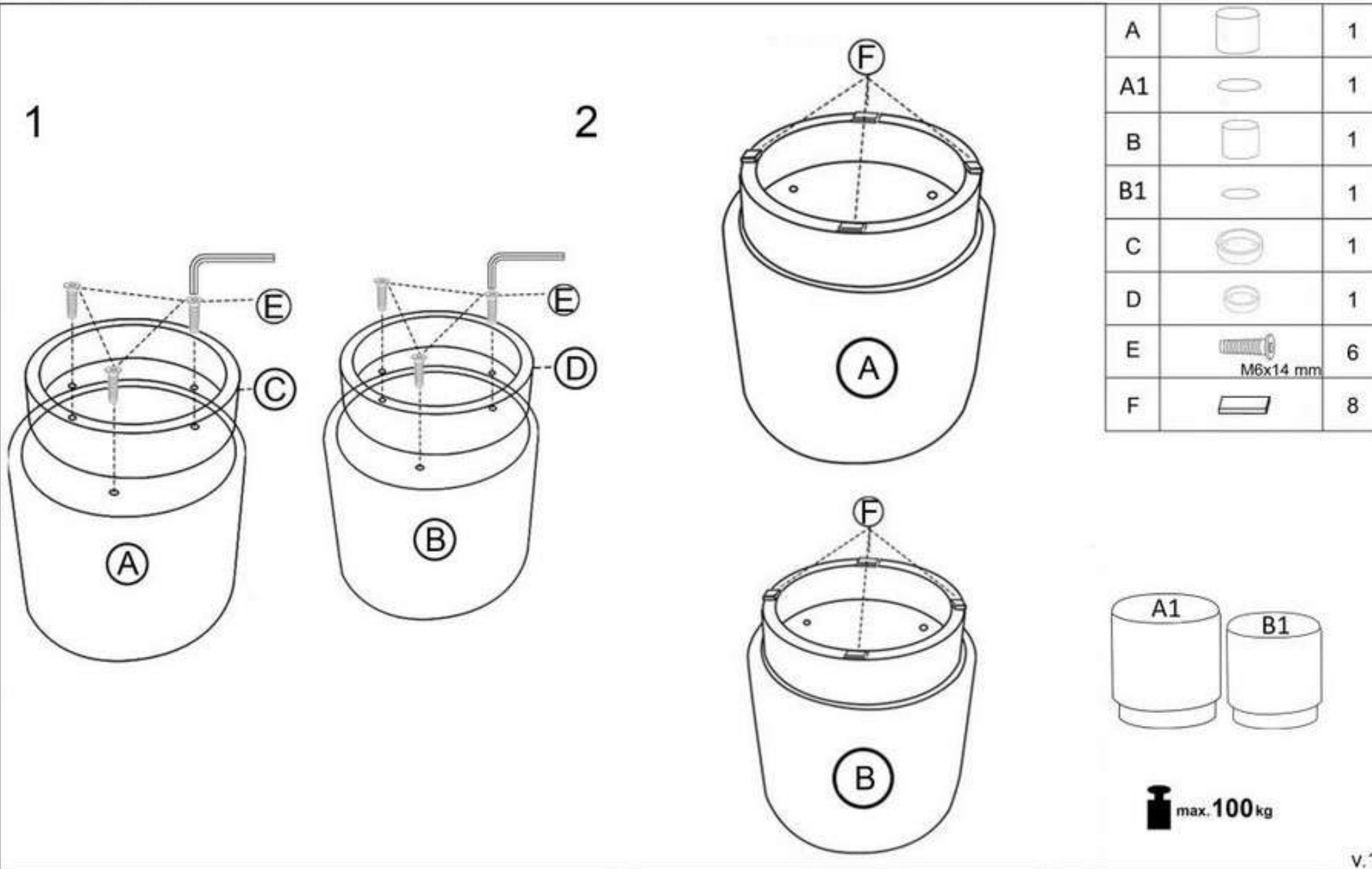
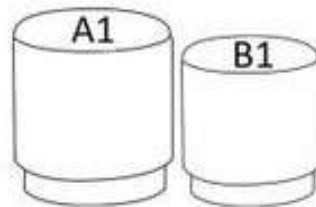


CANCUN



A		1
A1		1
B		1
B1		1
C		1
D		1
E	 M6x14 mm	6
F		8



max. 100 kg