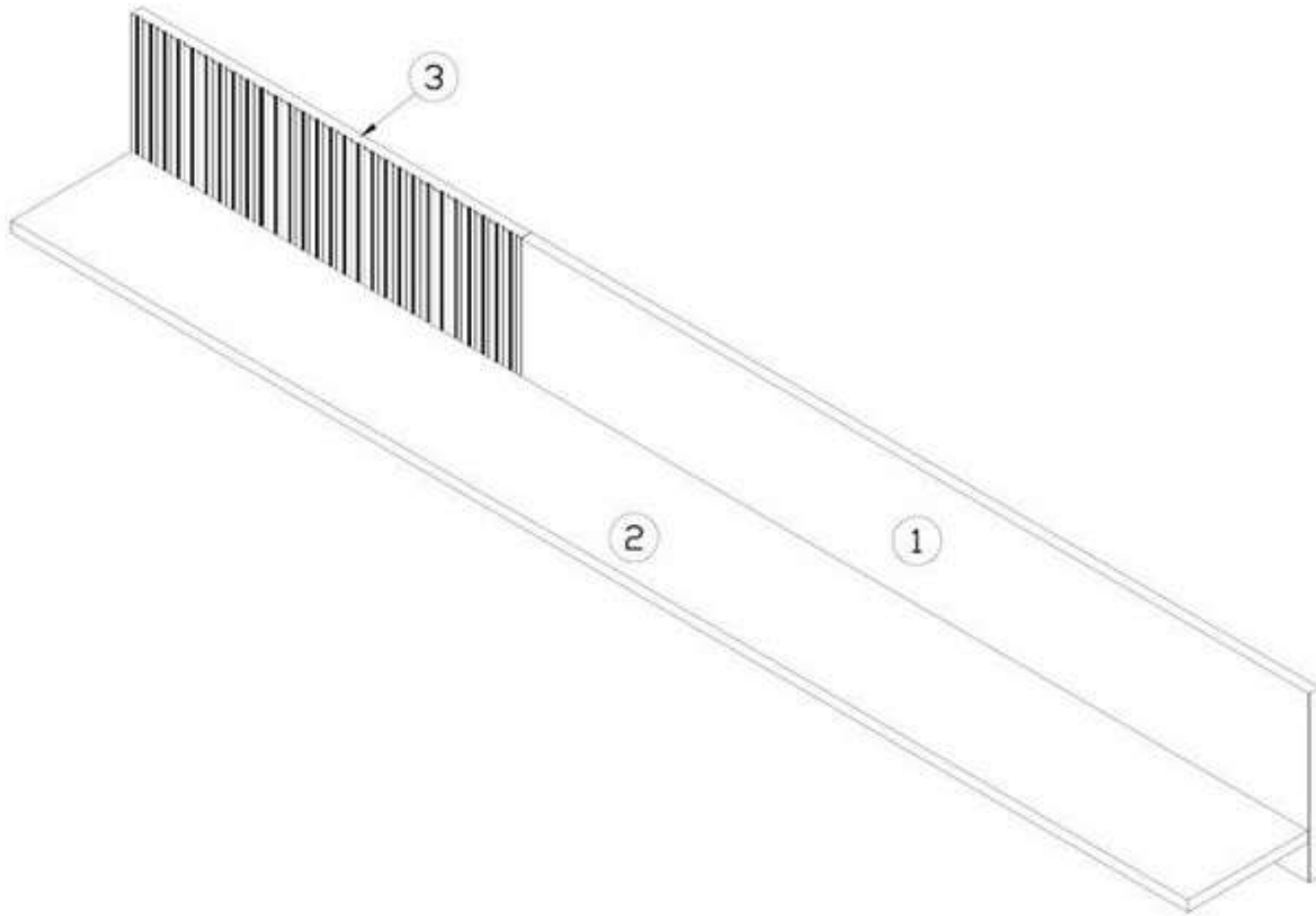
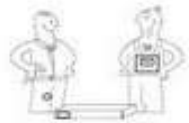


1/4



PYTLÍK 1



x3



x2



x1



x4



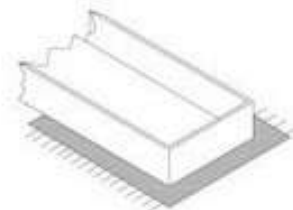
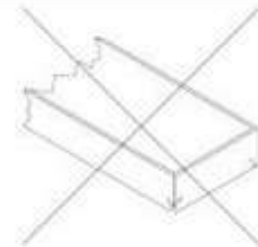
x2



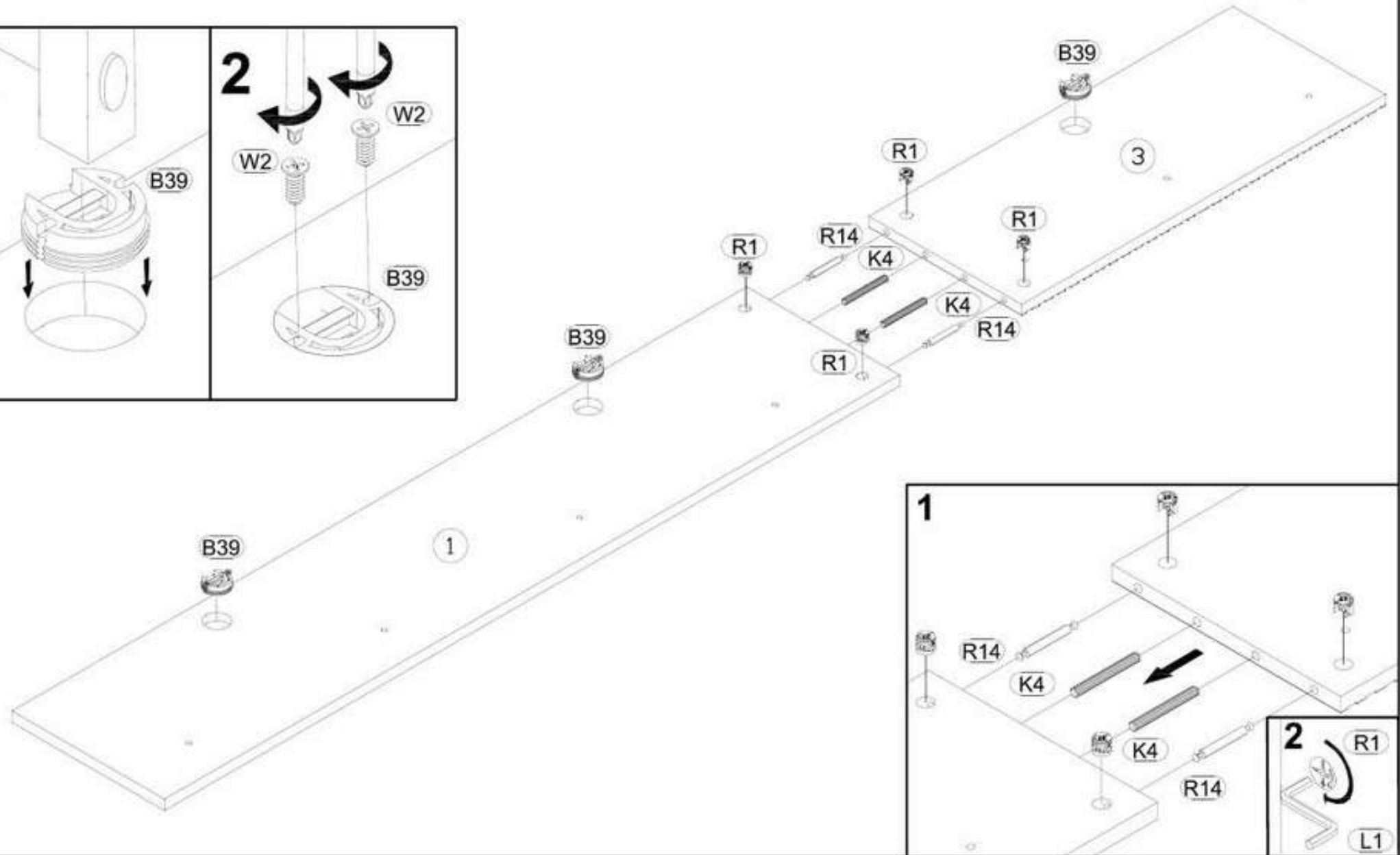
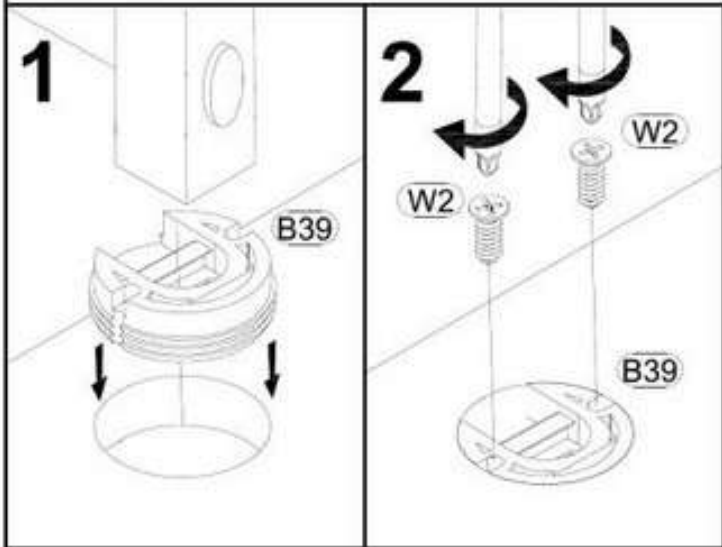
x7

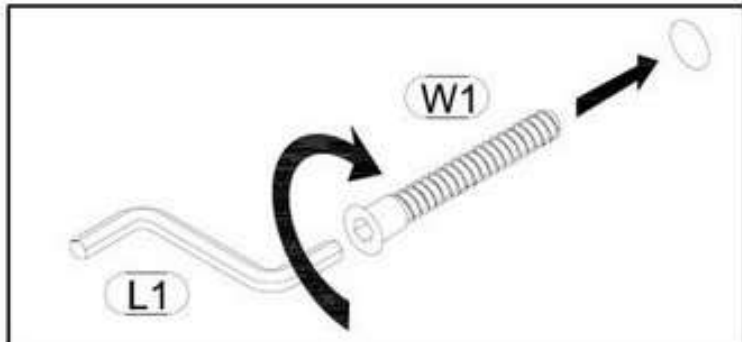
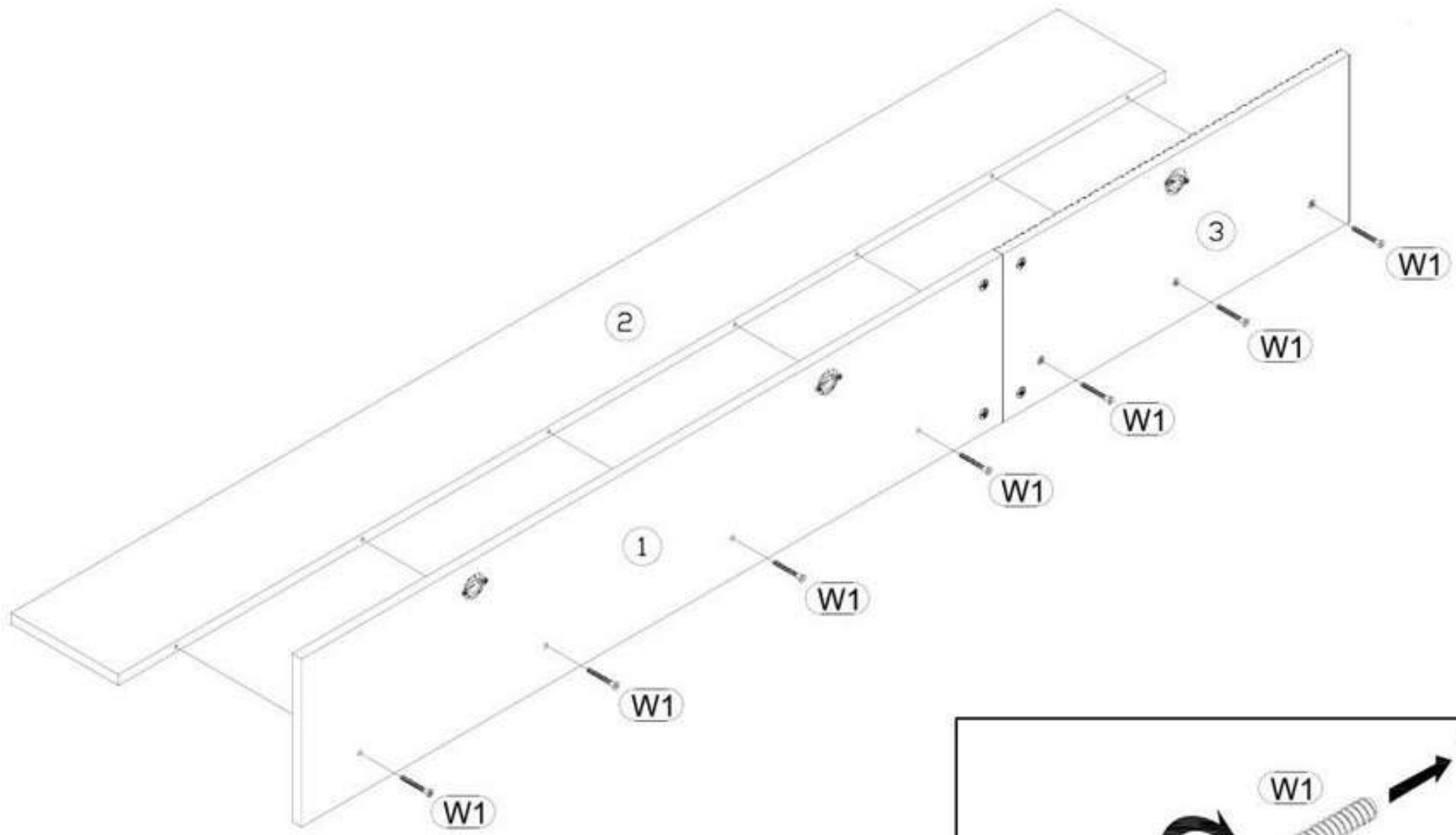


x6



2







1



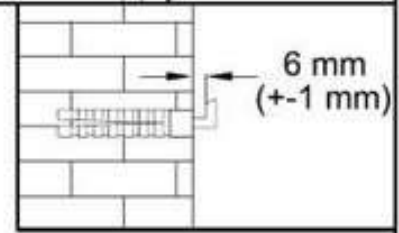
2



3



4



~598 mm

~608 mm

