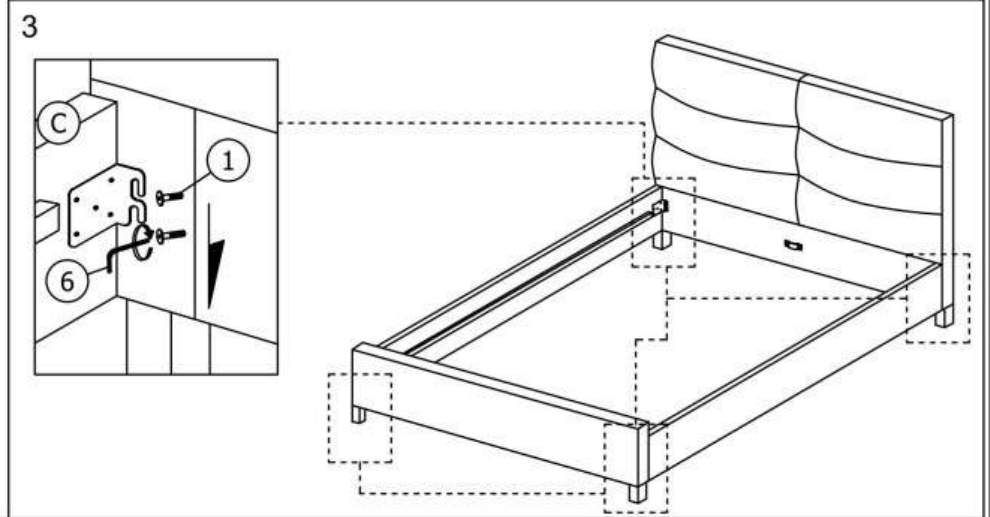
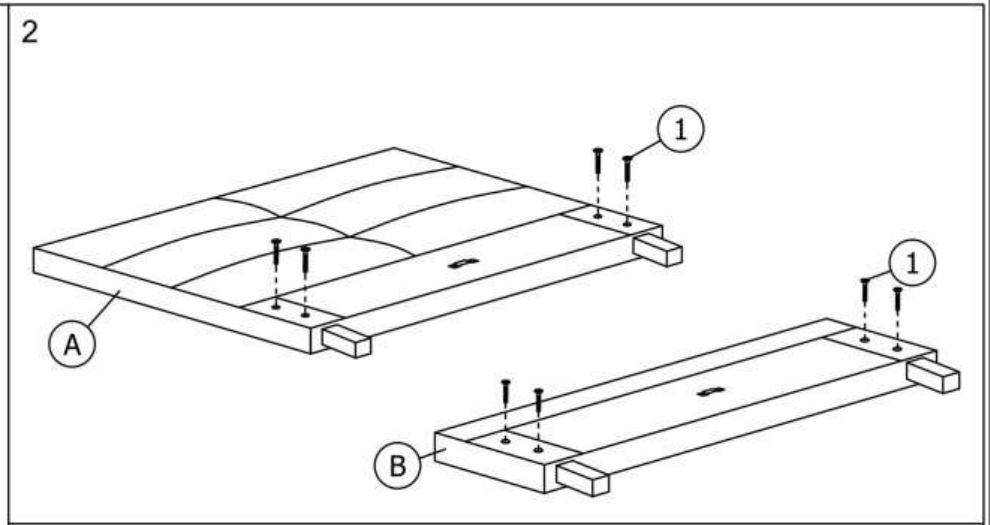
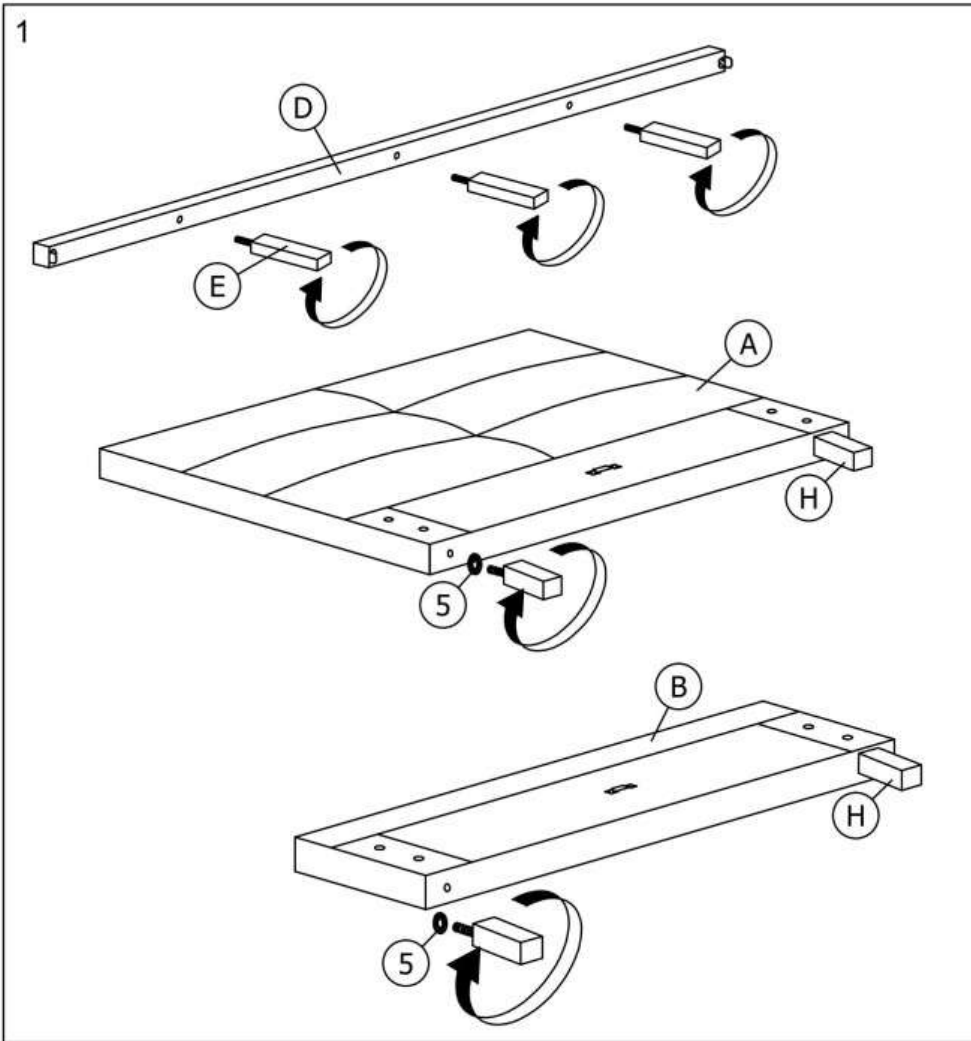


# SIERRA

A	1 PC
B	1 PC
C	2 PCS
D	1 PC
E	3 PCS
F	2 PCS
G	34 PCS
H	4 PCS

1	M8 x 30mm		8 PCS
2	M3.5 x 16mm		8 PCS
3			34 PCS
4			17 PCS
5			4 PCS
6	M5		1 PC
7	M4 x 20mm		2 PCS



# SIERRA

