

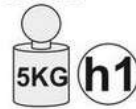
max.



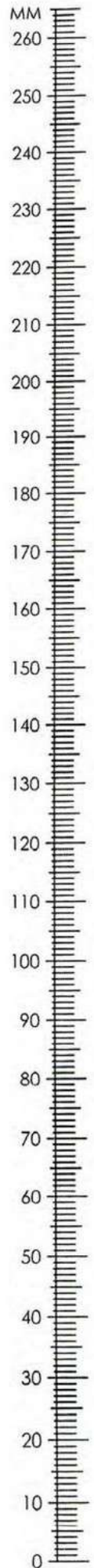
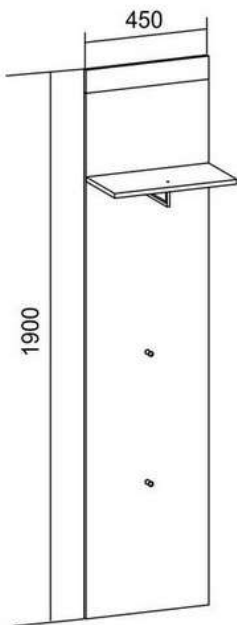
max.









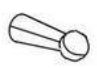




max.

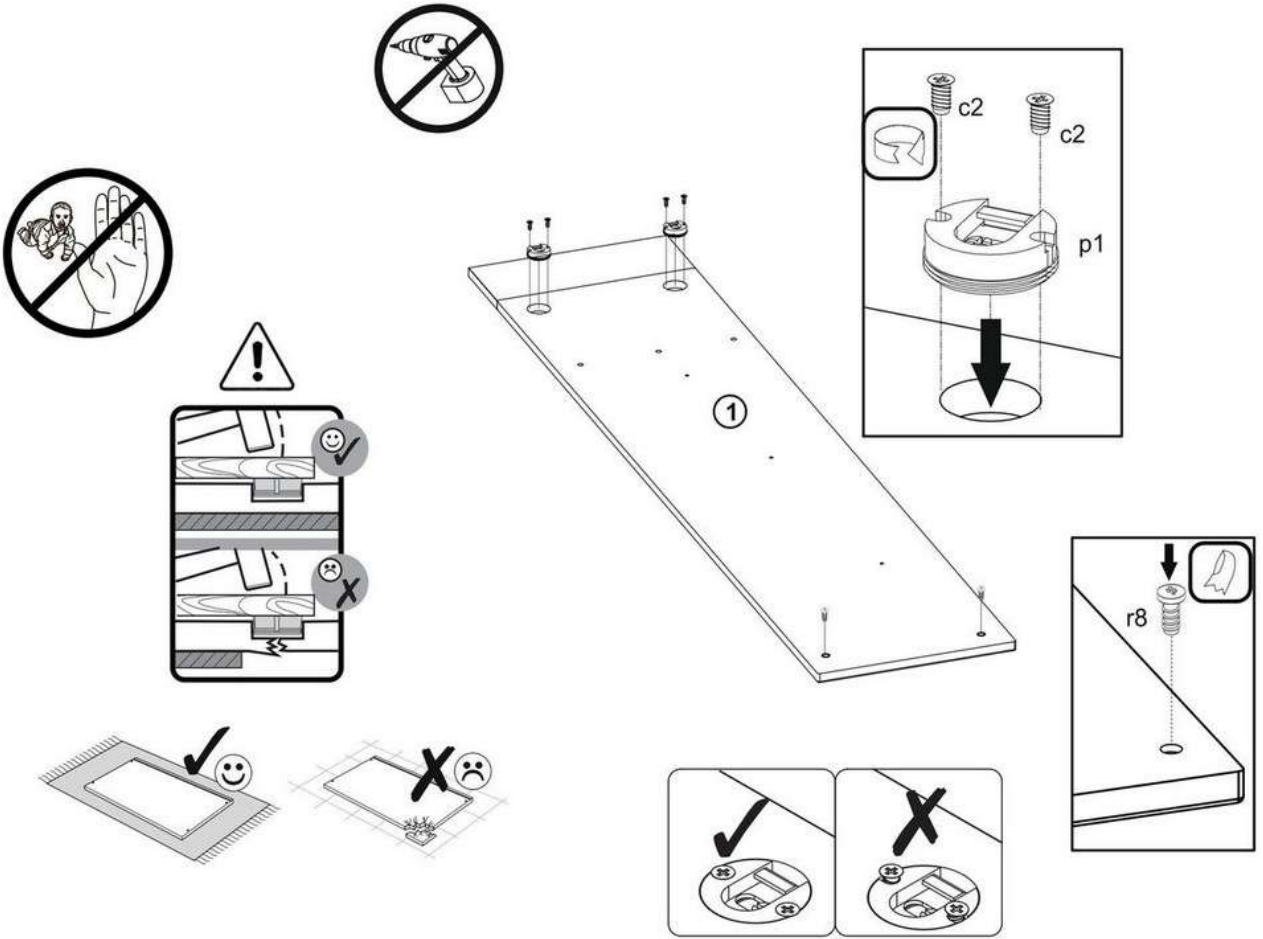


A	B	(mm)	
1	1820	450	1\1
1	448	234	1\1

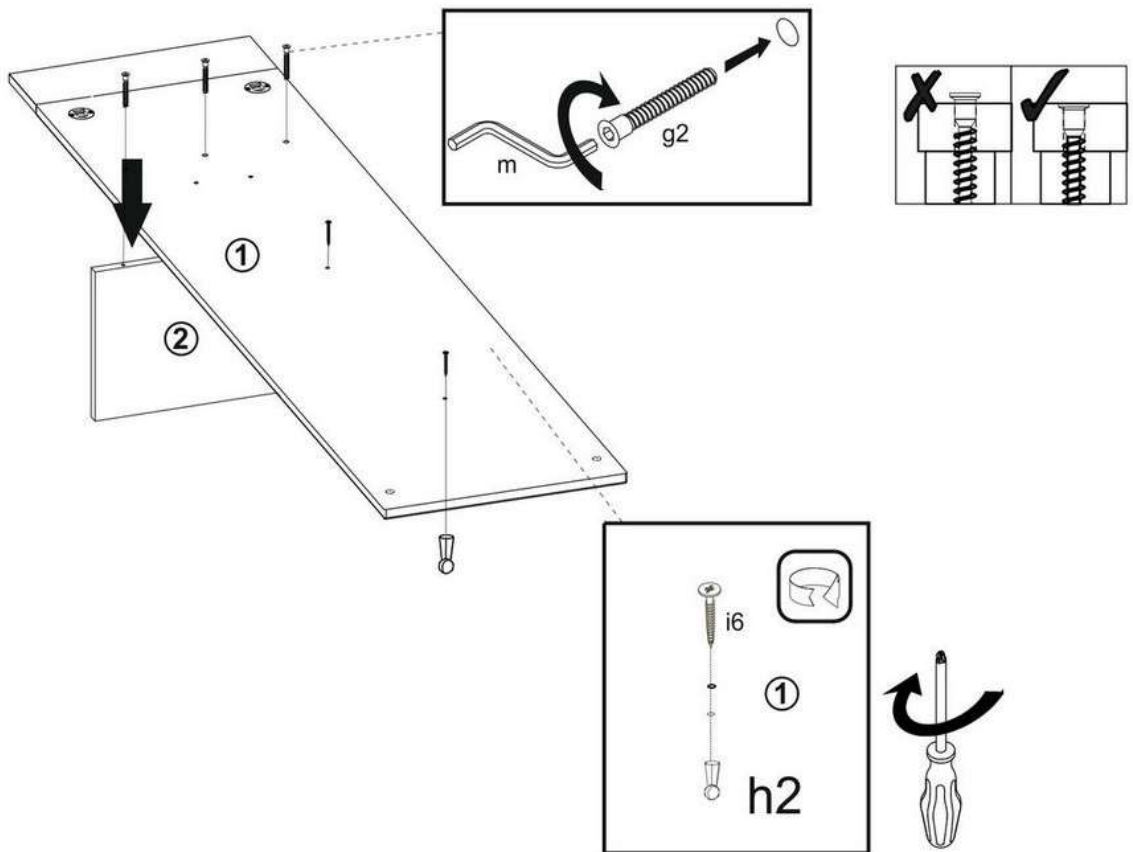


 c2 x4	 r8 x2	 s14 x2	 s16 x2
 p1 x2	 g2 x3	 m x1	 h1 x1
 h2 x2	 i5 x3	 i6 x3	

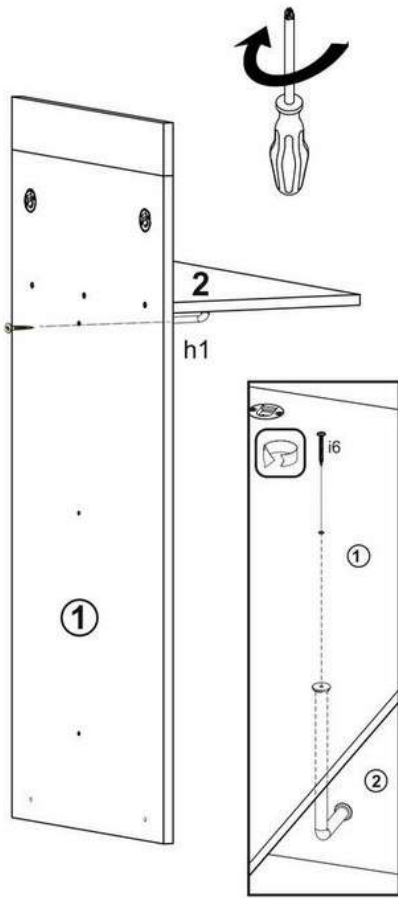
# 1



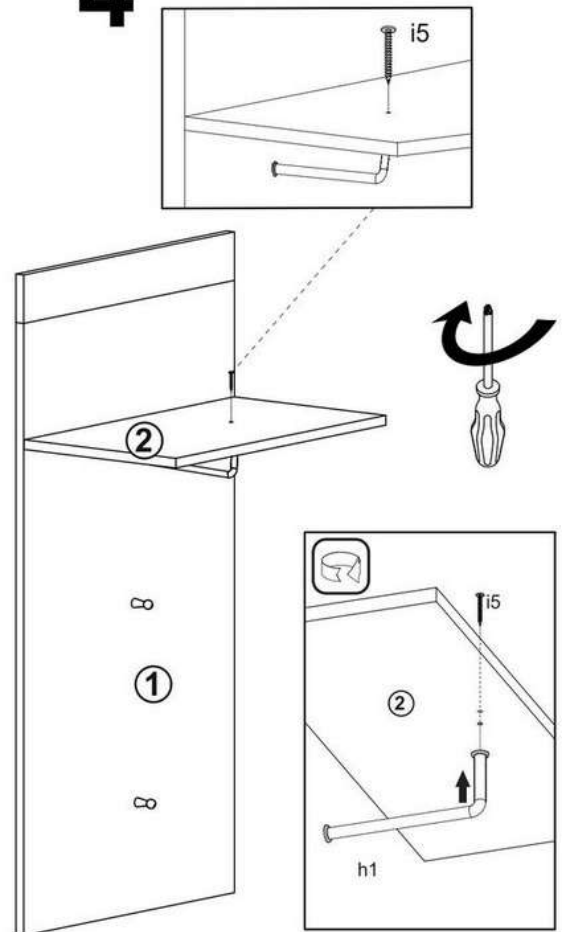
# 2



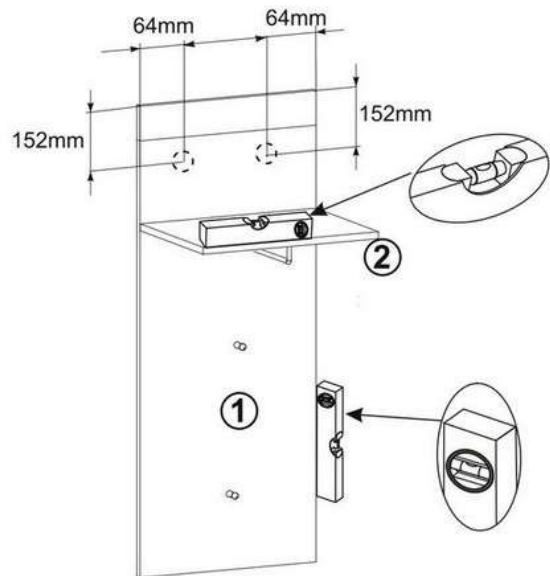
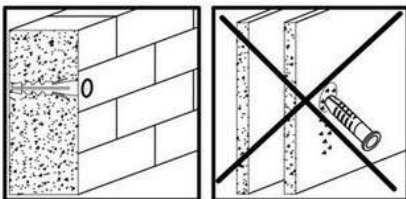
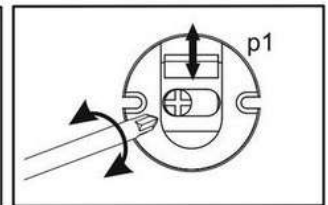
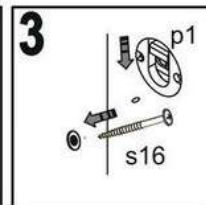
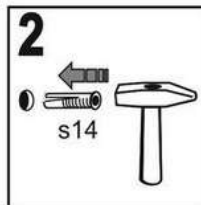
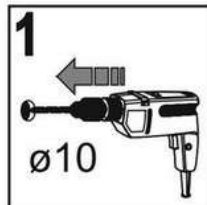
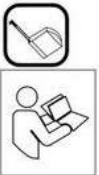
# 3



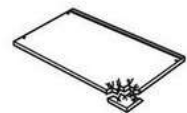
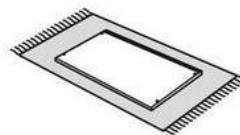
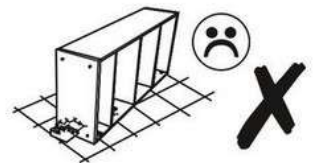
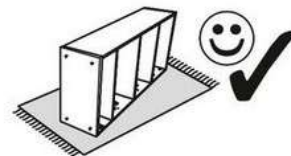
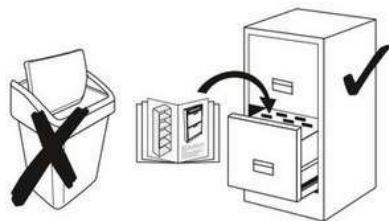
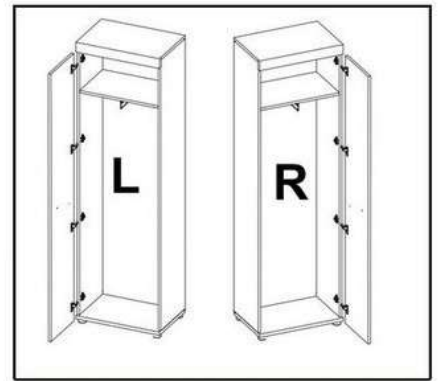
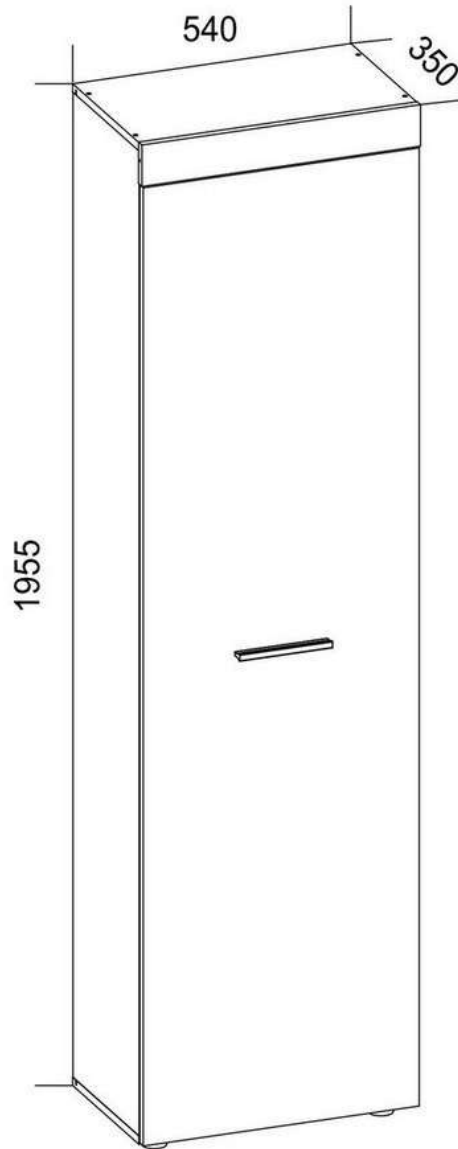
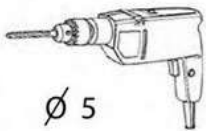
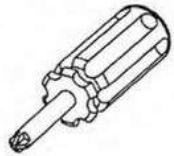
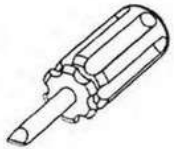
# 4



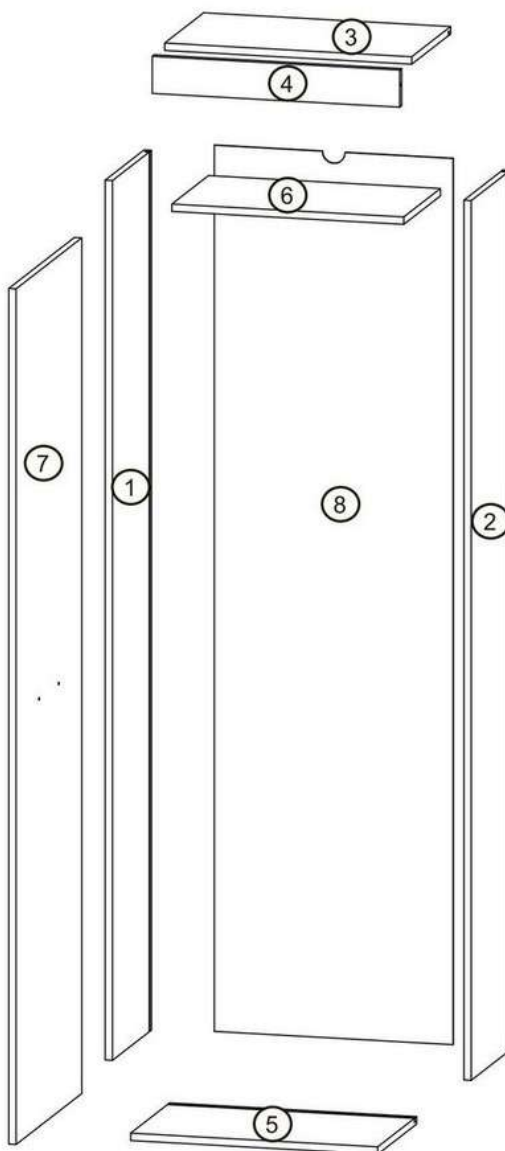
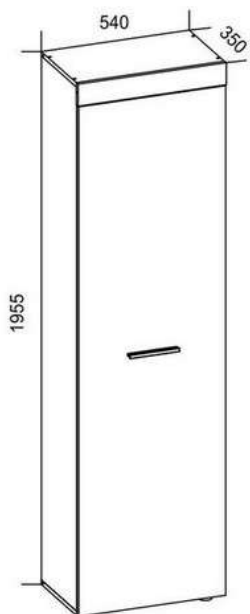
# 5







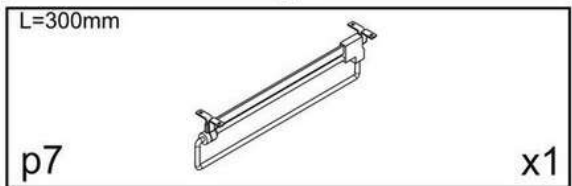
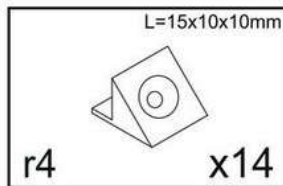
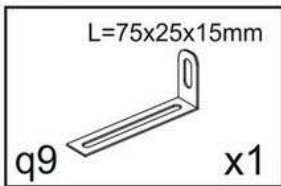
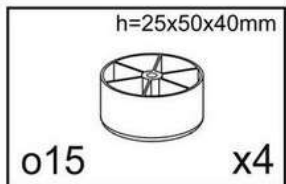
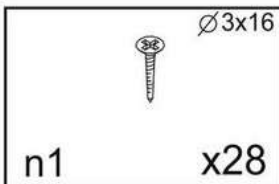
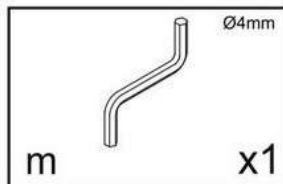
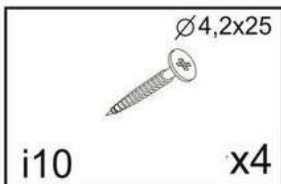
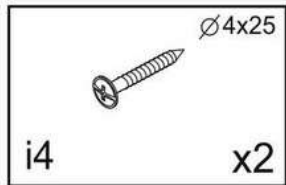
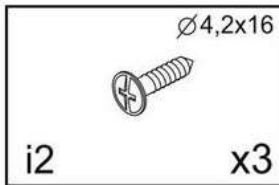
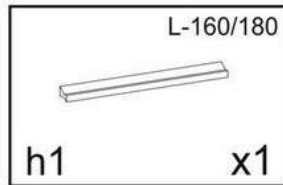
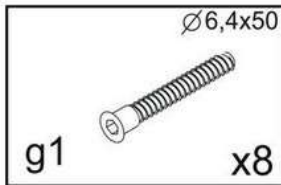
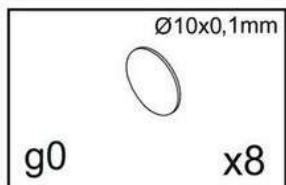
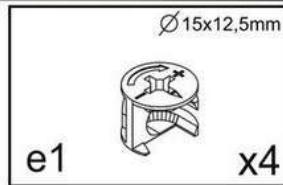
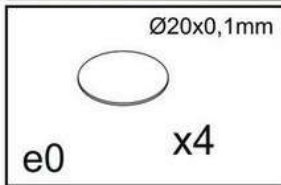
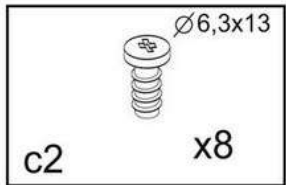
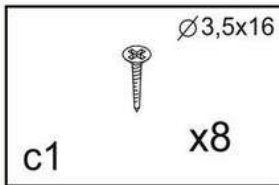
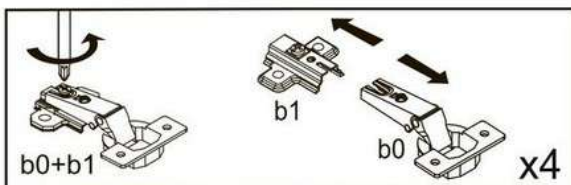
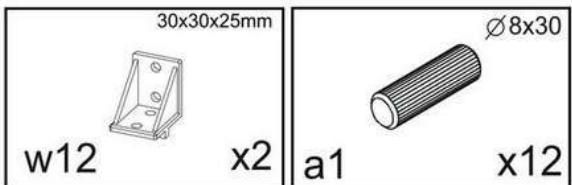
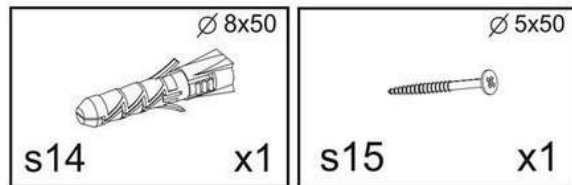
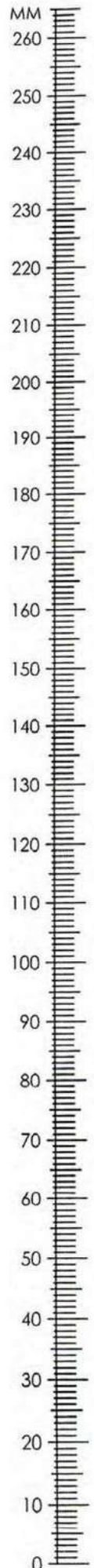
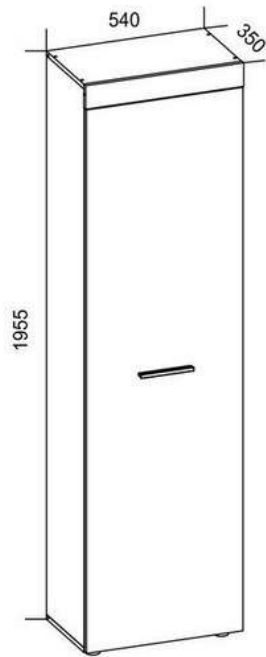




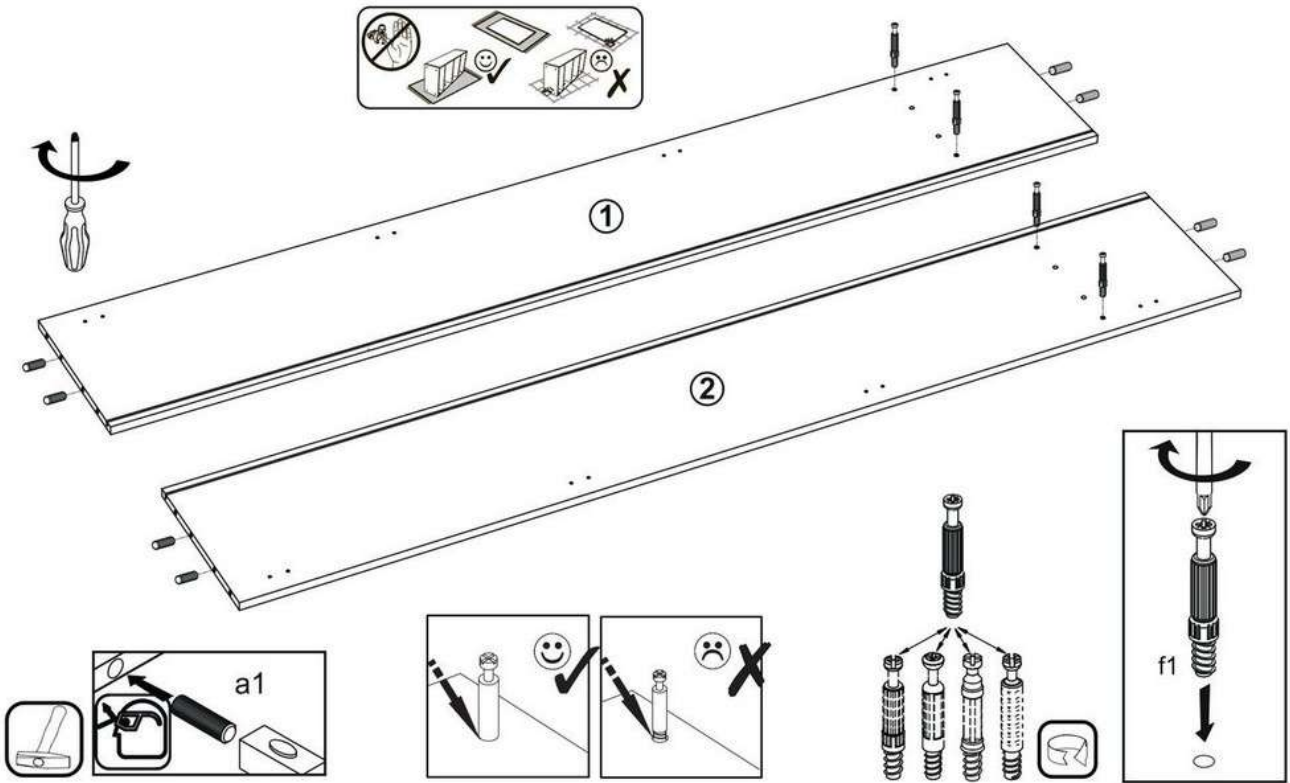
max.



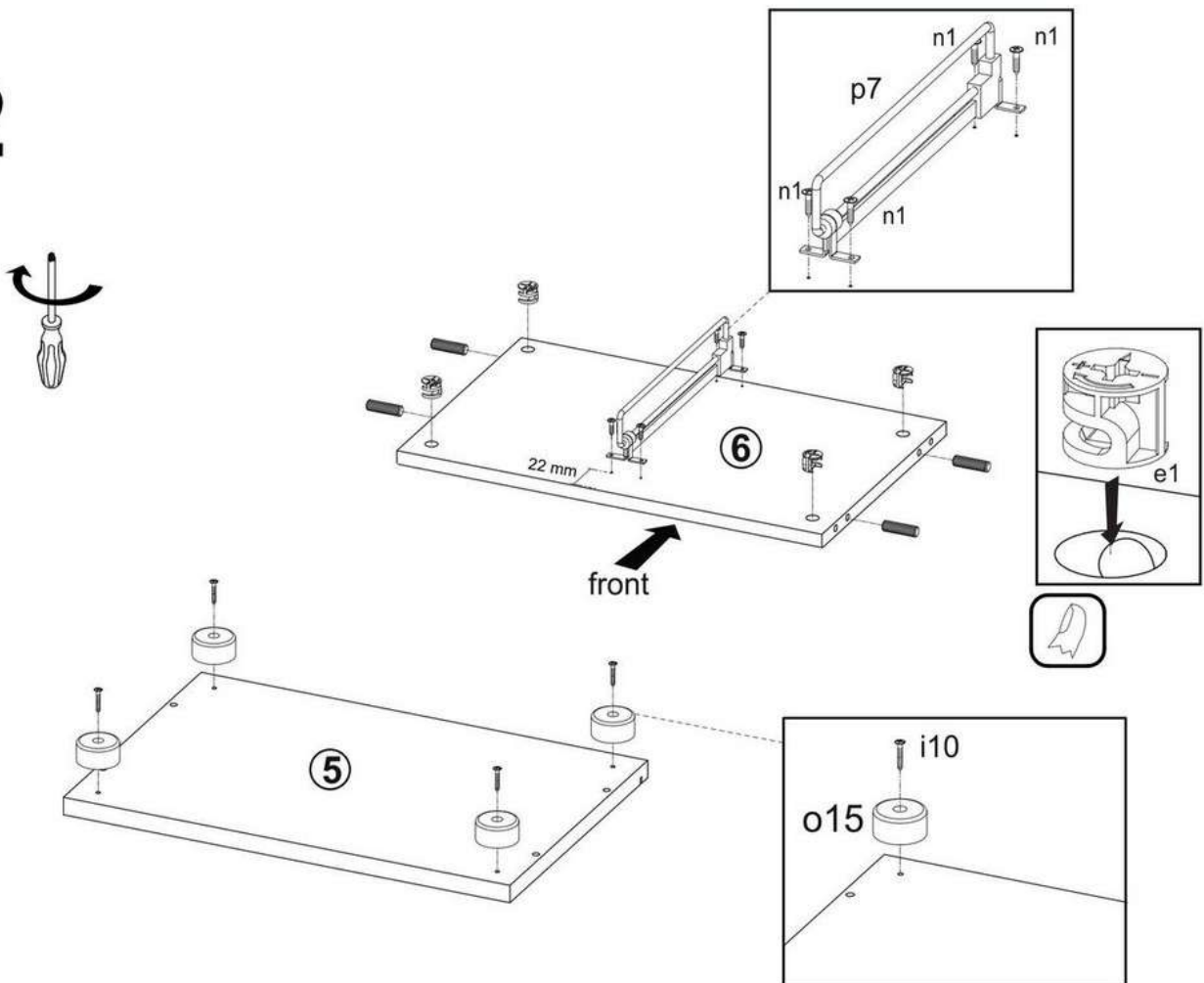
A	B	C (mm)		
1	001	1898	334	1\1
2	002	1898	334	1\1
3	003	540	334	1\1
4	004	541	80	1\1
5	005	540	334	1\1
6	006	507	316	1\1
7	007	536	1846	1\1
8	008	1912	522	1\1



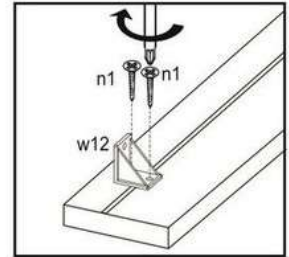
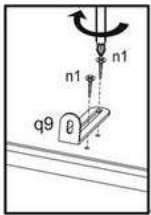
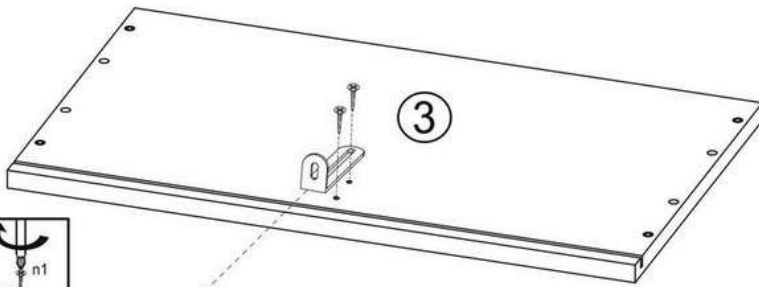
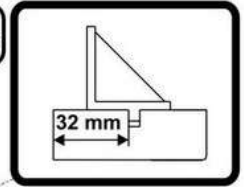
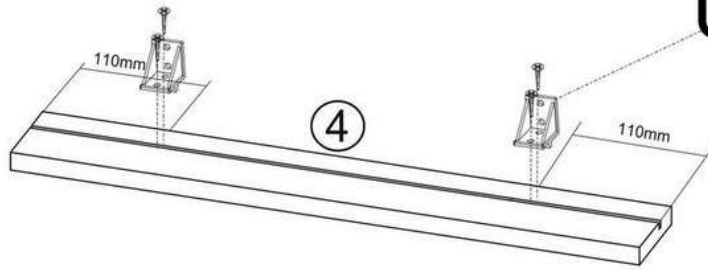
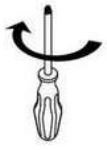
# 1



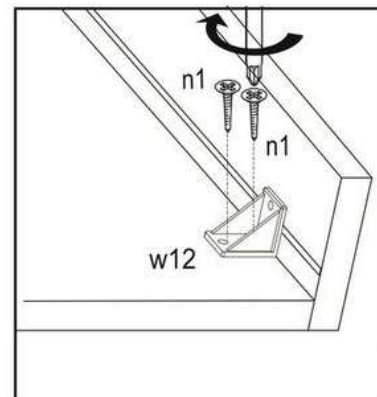
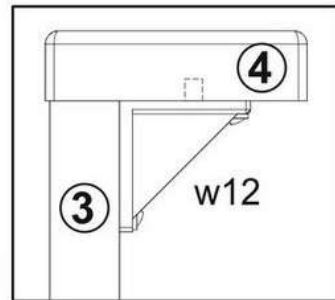
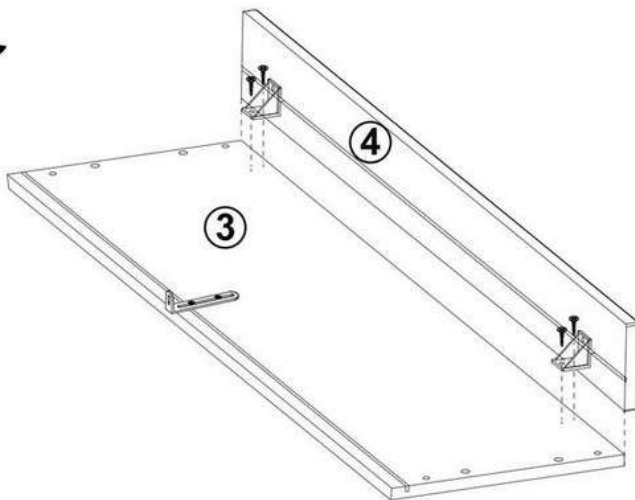
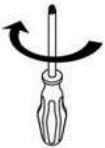
# 2



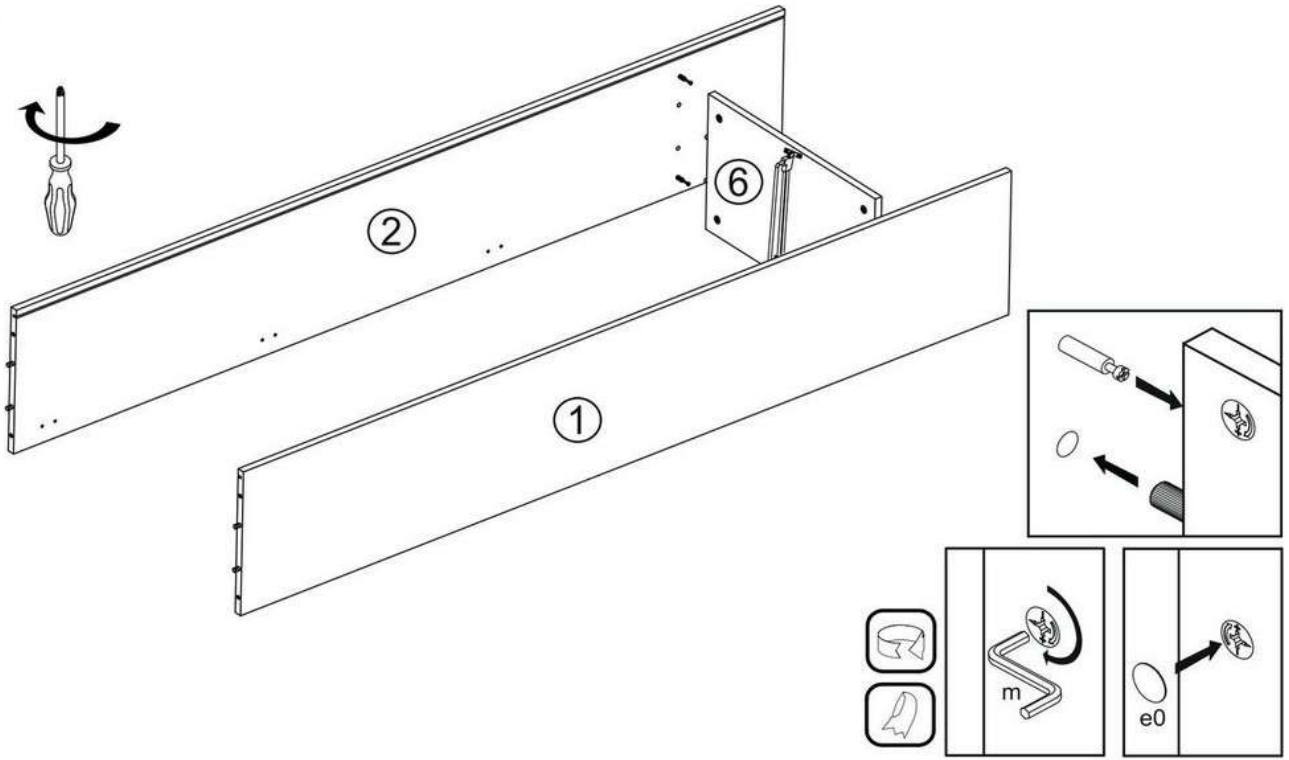
# 3



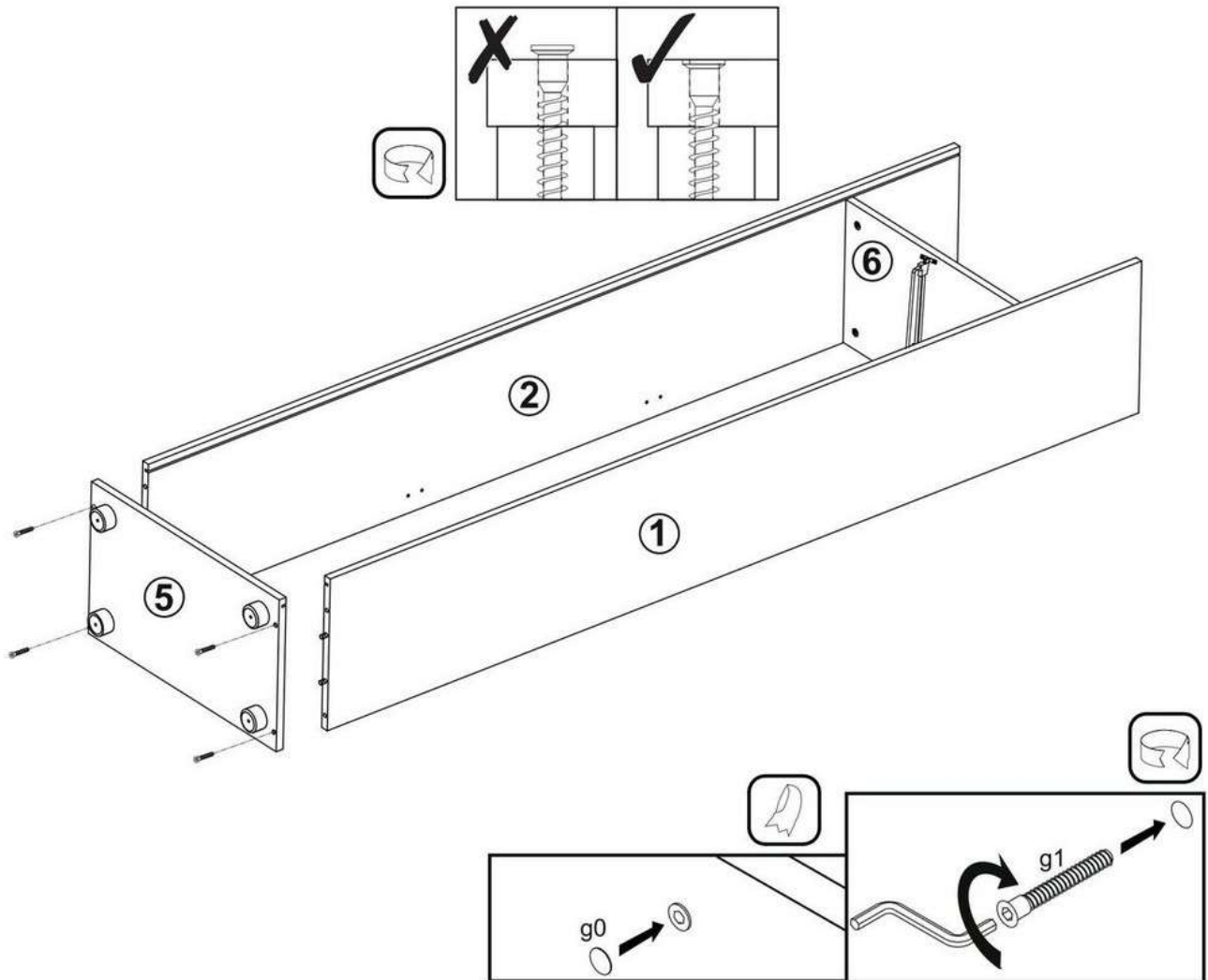
# 4



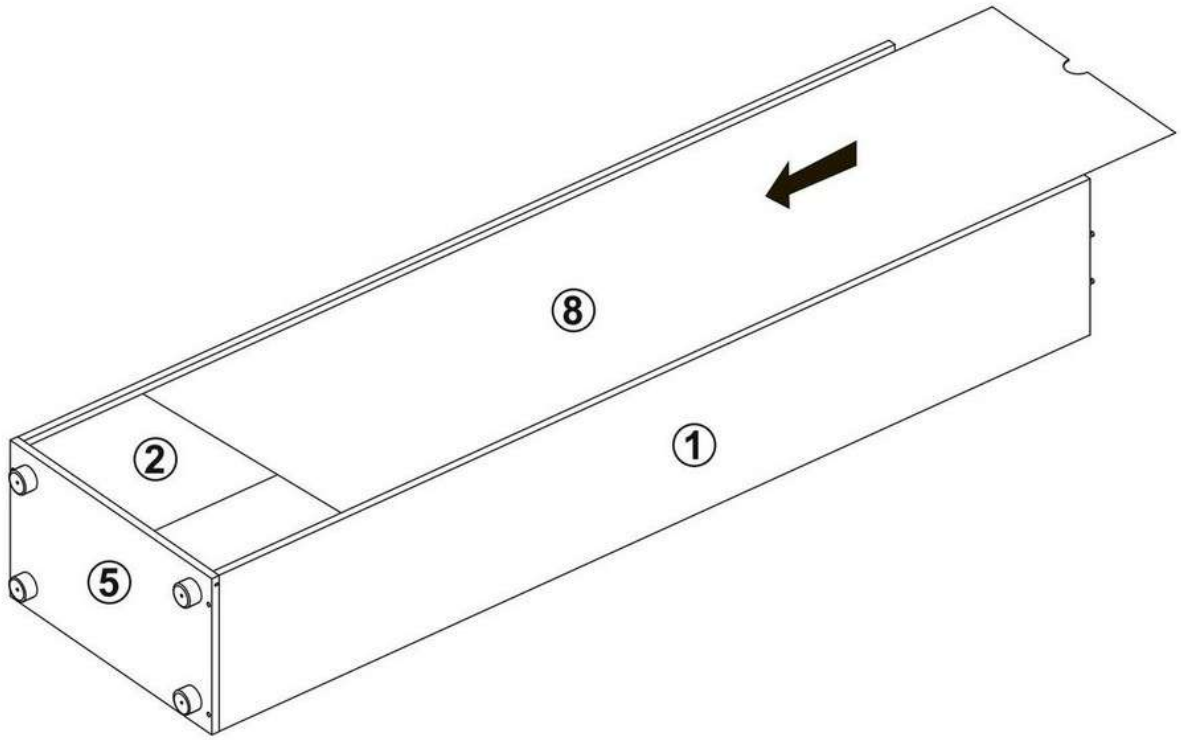
# 5



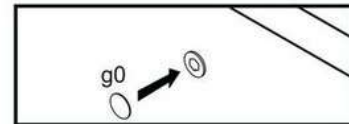
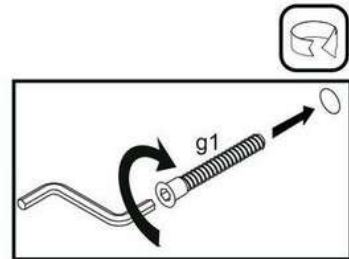
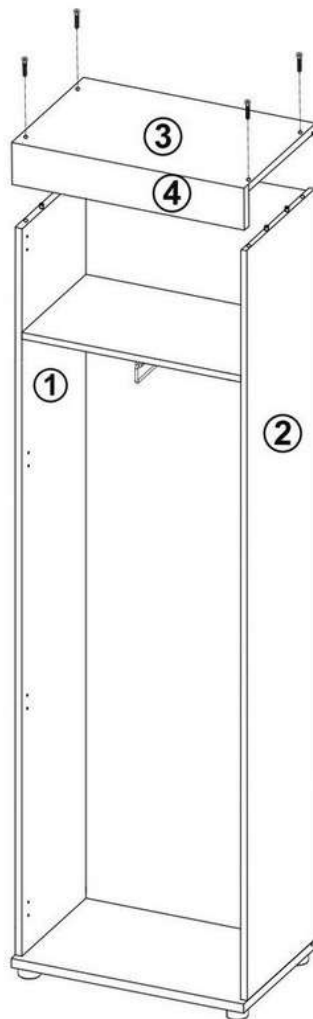
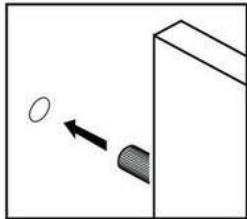
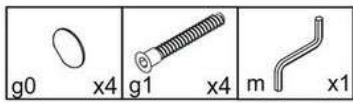
# 6



# 7

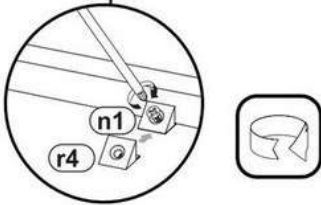
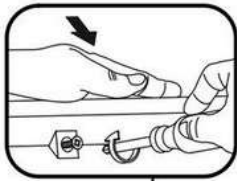
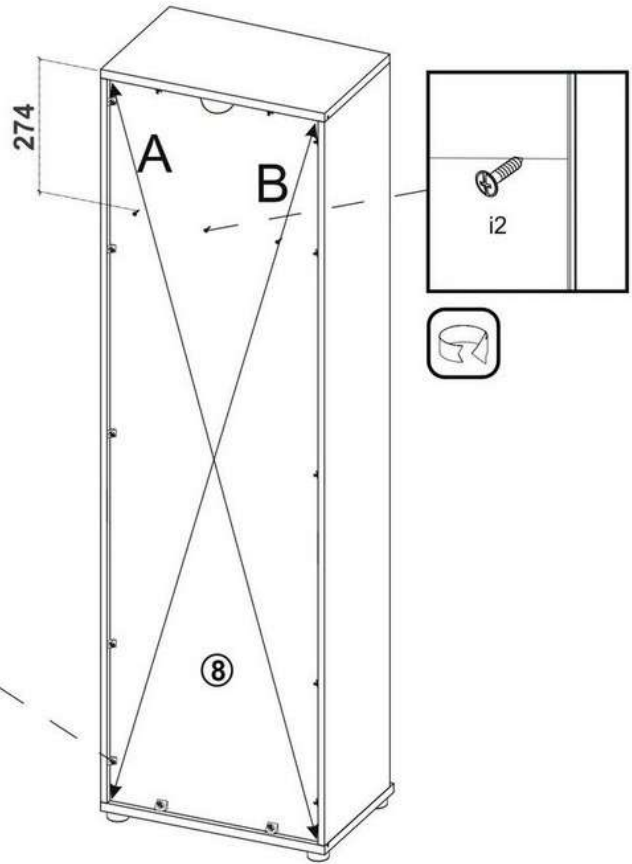
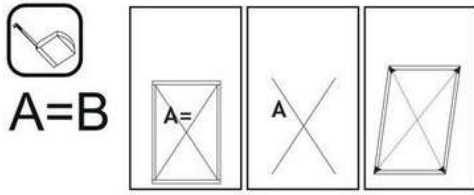


# 8

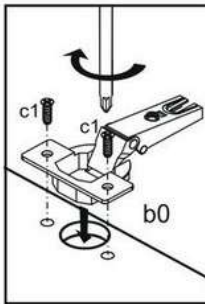
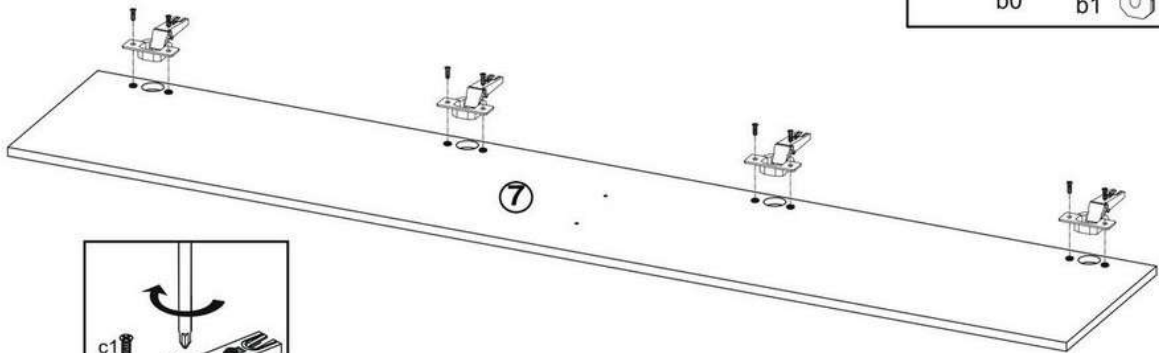
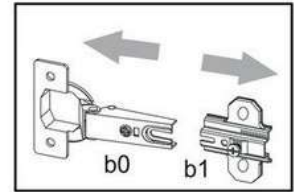




# 9

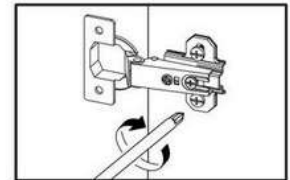
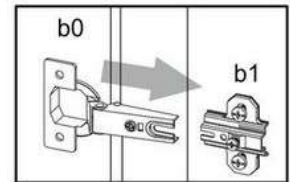
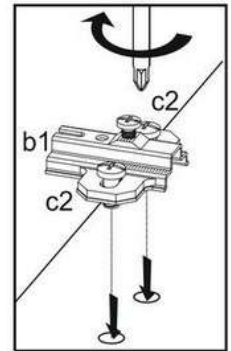
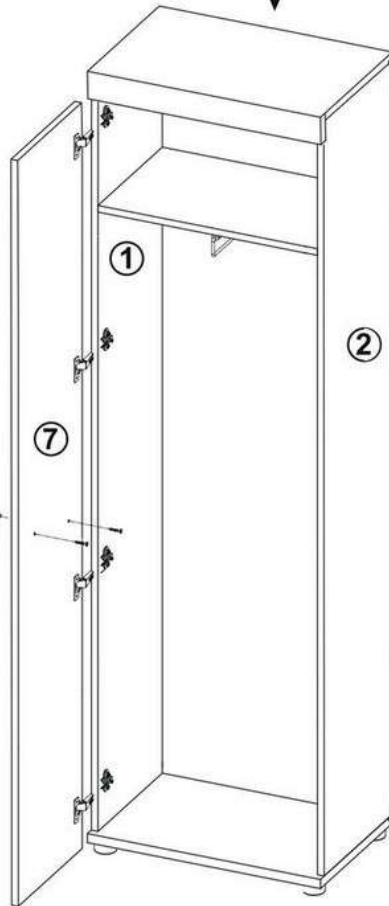
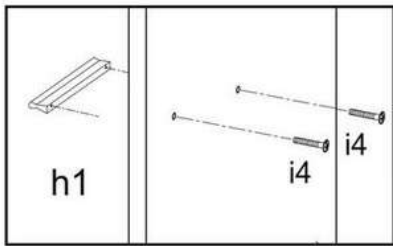
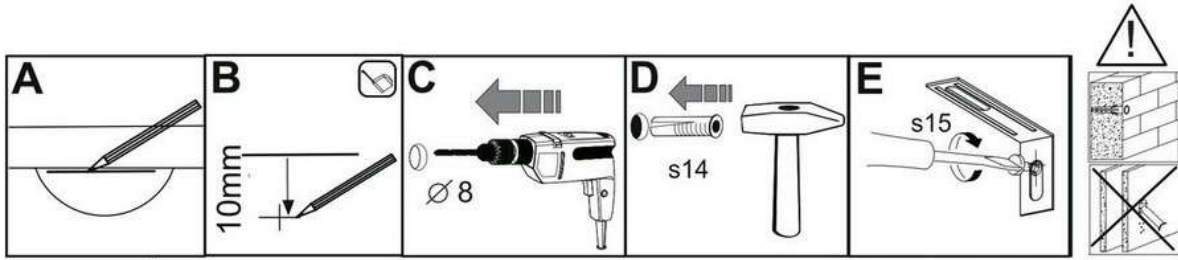


# 10

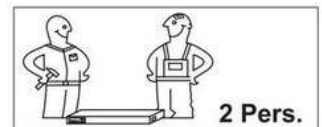
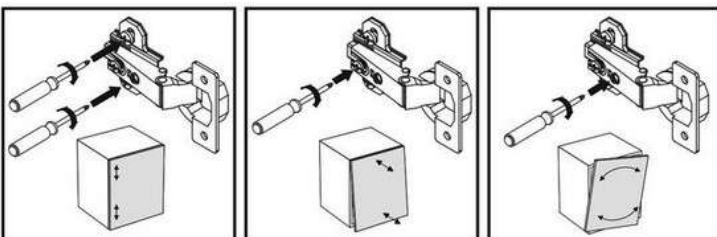
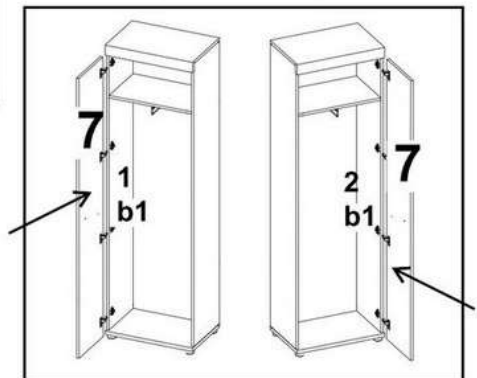


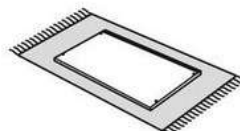
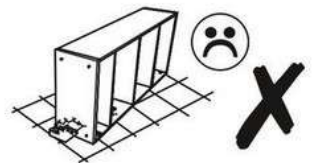
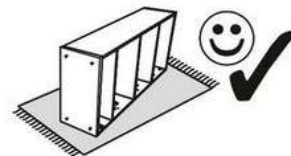
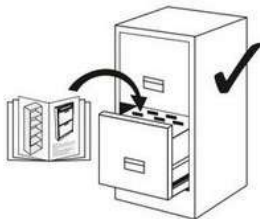
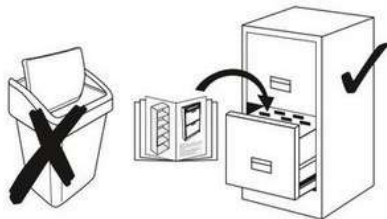
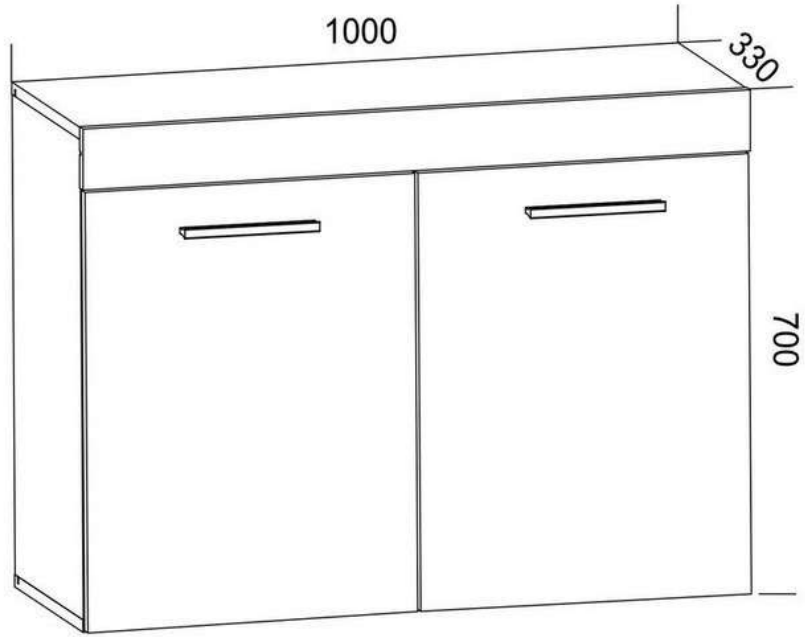
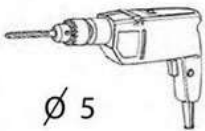
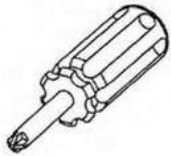
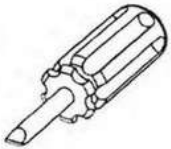


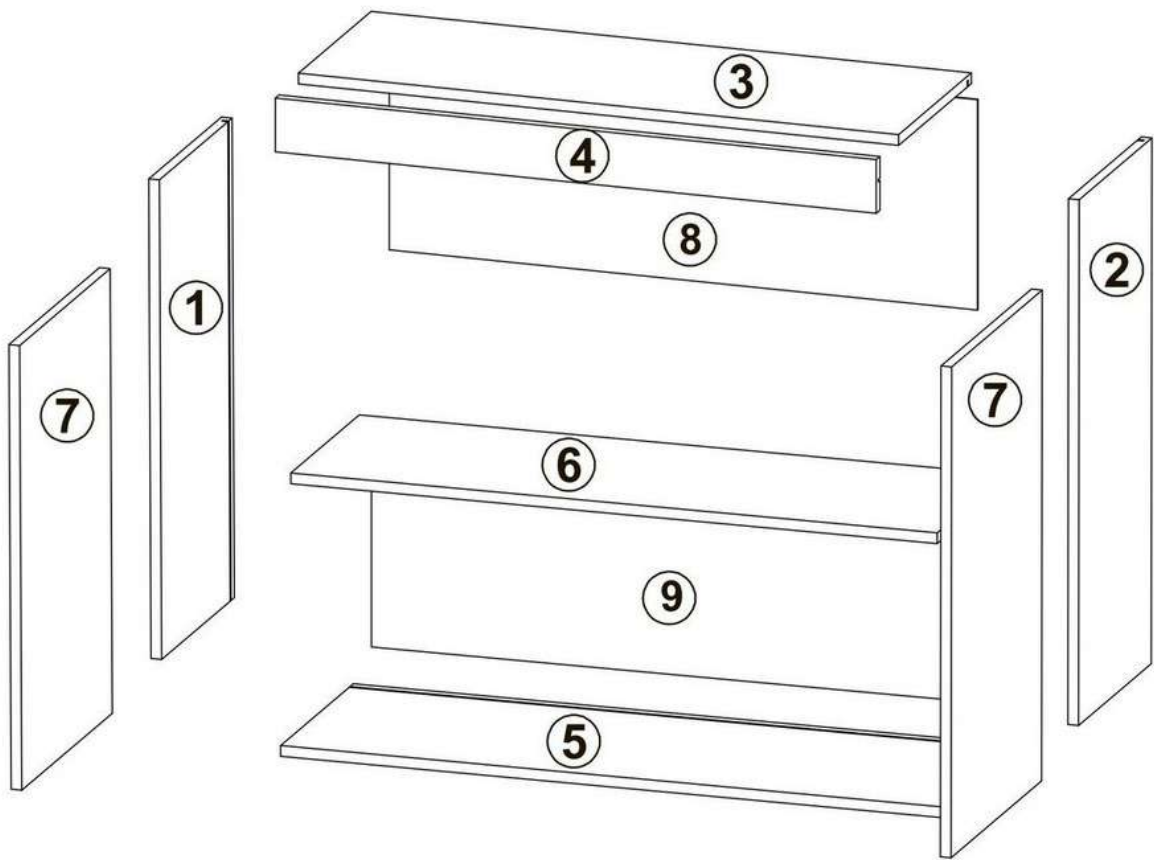
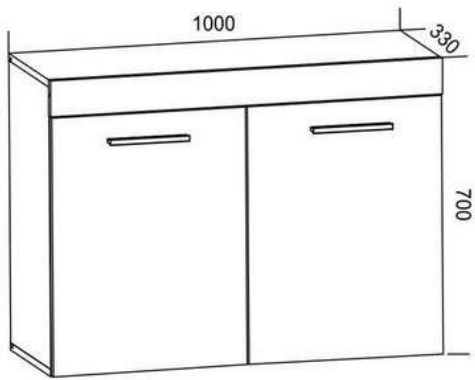
# 13



L R



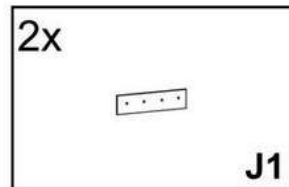
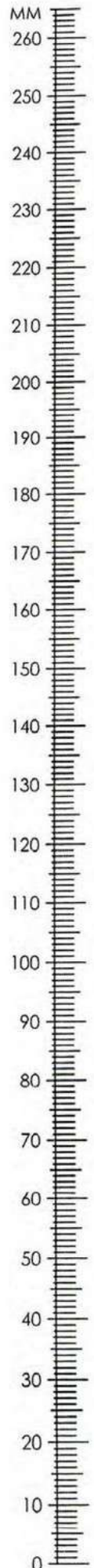
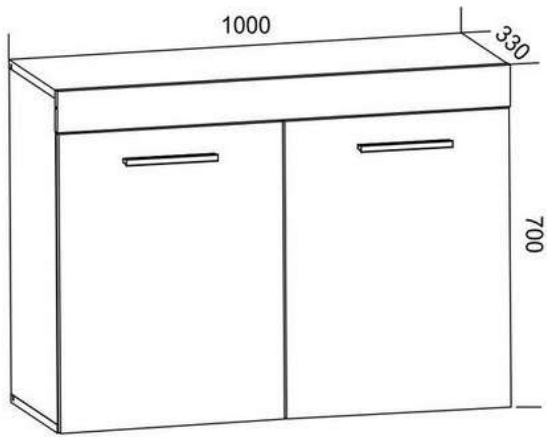




A	B	C	(mm)	
1	001	668	314	1\1
2	002	668	314	1\1
3	003	1000	314	1\1
4	004	1001	80	1\1
5	005	1000	314	1\1
6	006	967	296	1\1
7	007	496	616	1\1
8	008	982	341	1\1
9	009	982	341	1\1

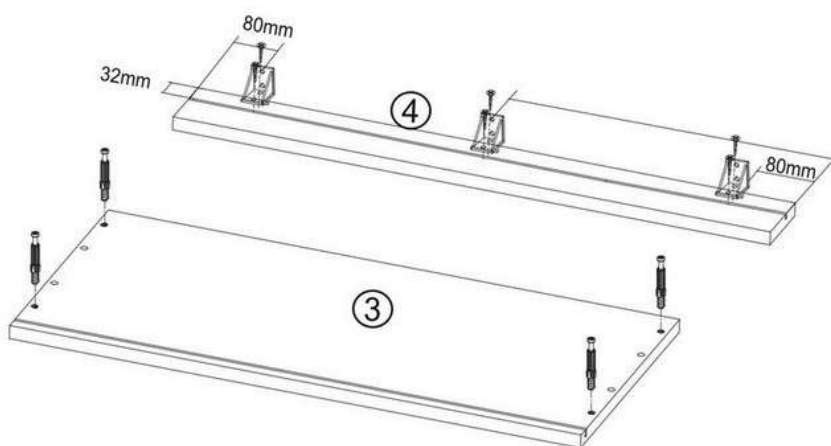
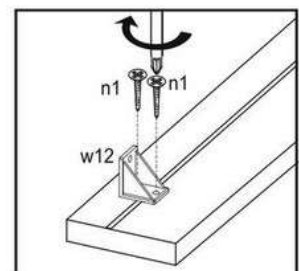
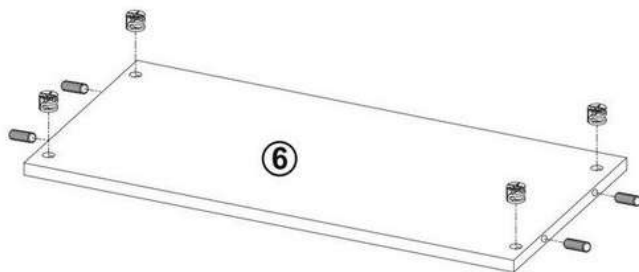
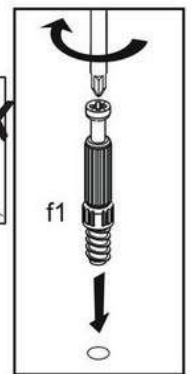
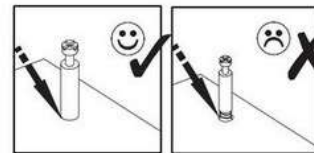
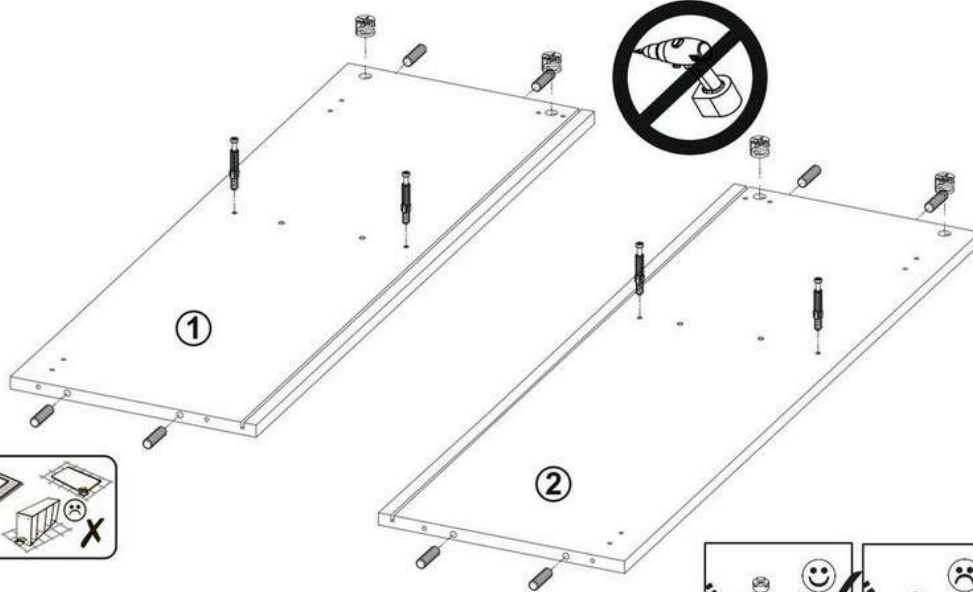
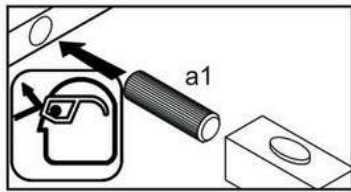
max.



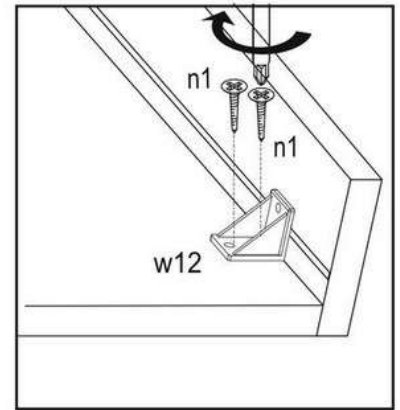
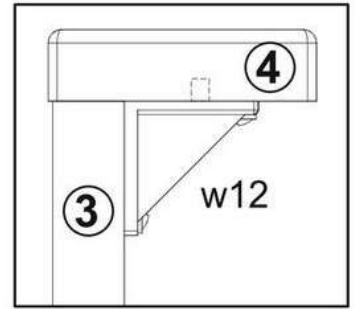
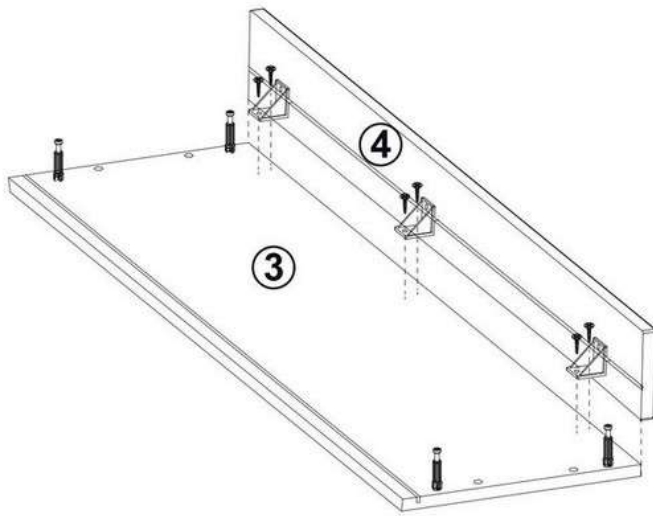


<p><b>s14</b> x4</p>	<p><b>r4</b> x12</p>	<p><b>w12</b> x3</p>	<p><b>a1</b> x12</p>
<p><b>b0+b1</b> x4</p>	<p><b>b1</b> x4</p>	<p><b>c1</b> x8</p>	<p><b>c2</b> x8</p>
<p><b>e0</b> x8</p>	<p><b>e1</b> x8</p>	<p><b>f1</b> x8</p>	<p><b>g0</b> x4</p>
<p><b>g1</b> x4</p>	<p><b>h1</b> x2</p>	<p><b>s15</b> x4</p>	<p><b>i4</b> x4</p>
<p><b>z1</b> x4</p>	<p><b>m</b> x1</p>	<p><b>n1</b> x28</p>	<p><b>q1</b> x1</p>

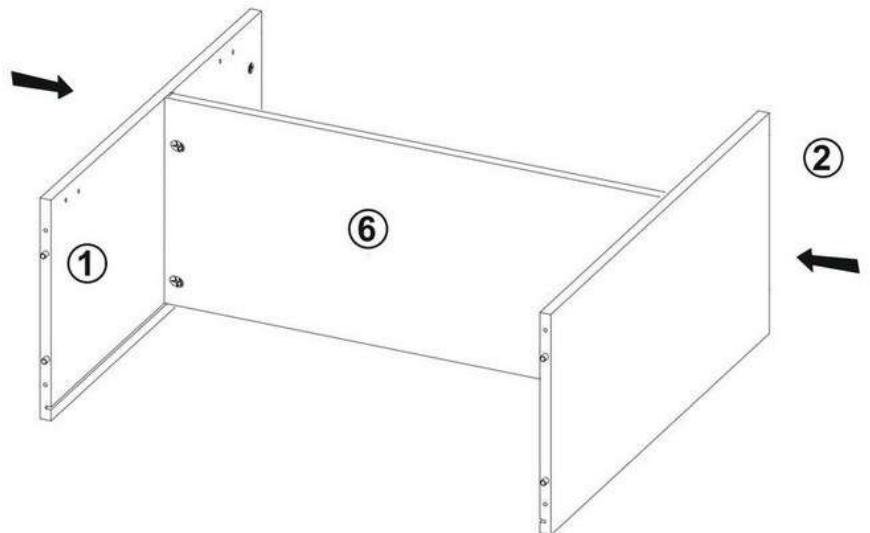
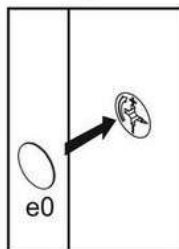
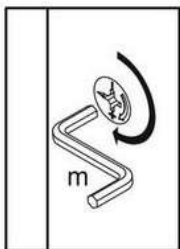
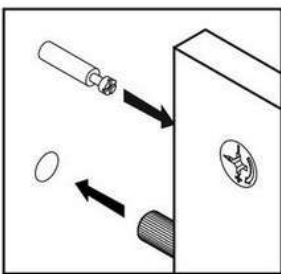
# 1



# 2

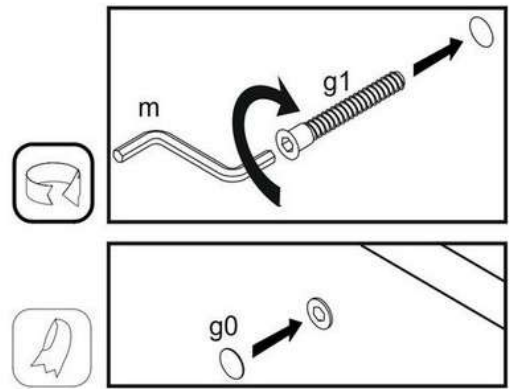
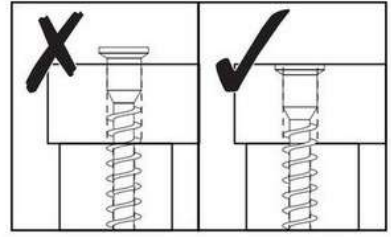
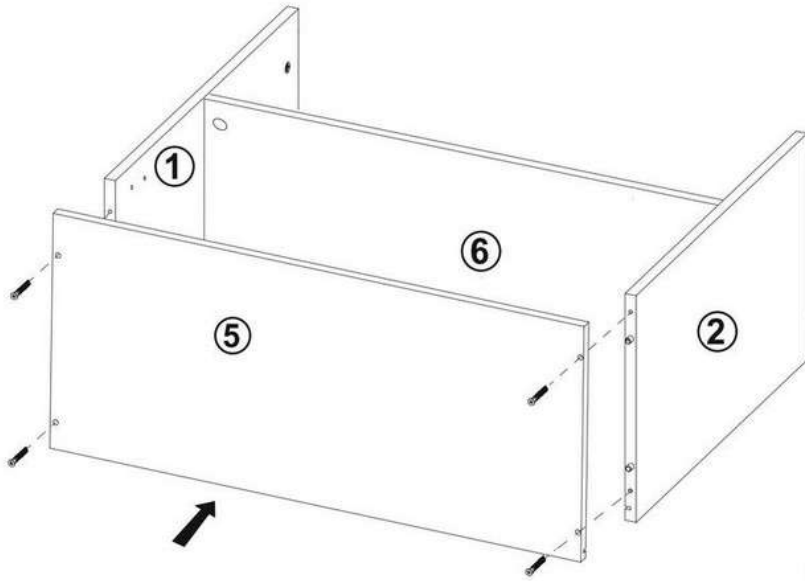


# 3

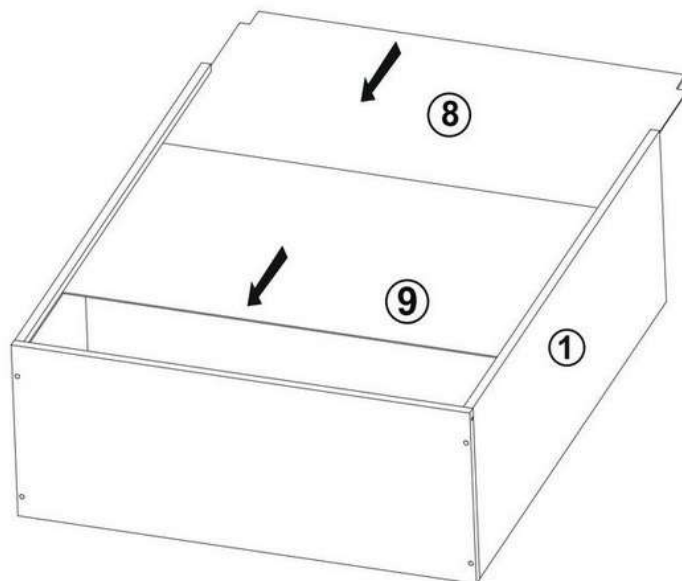




# 4

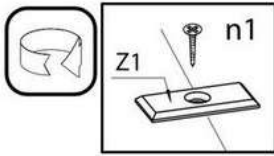


# 5

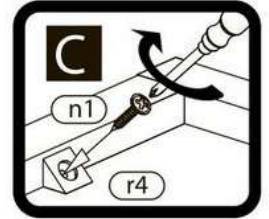
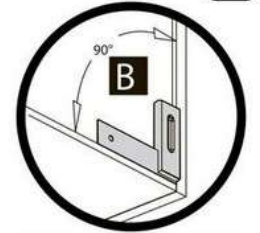
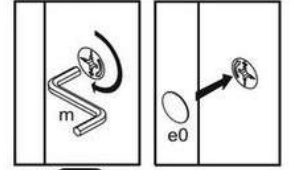
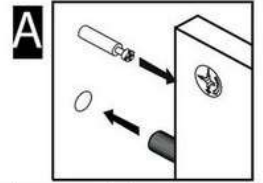
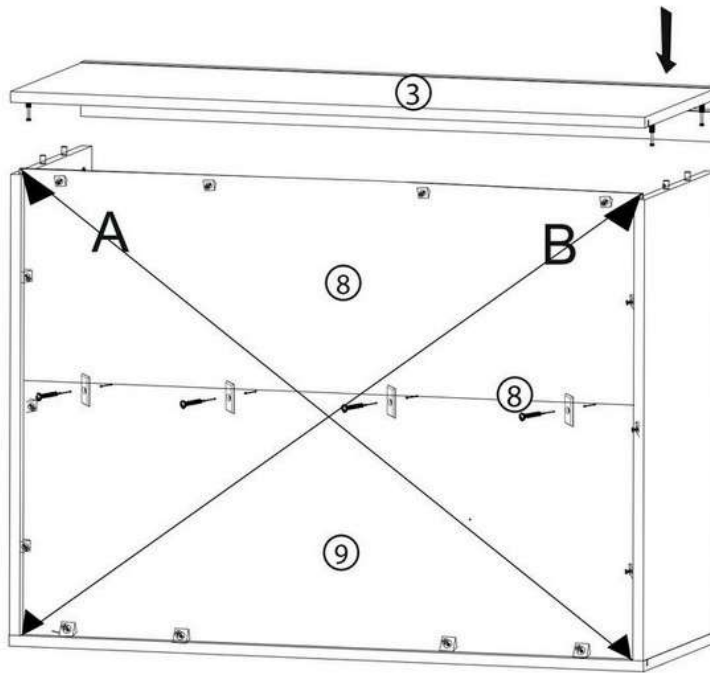




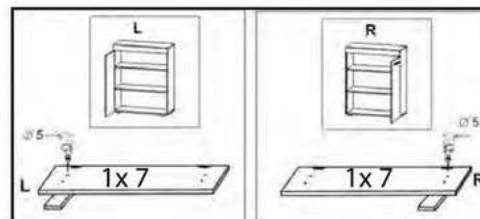
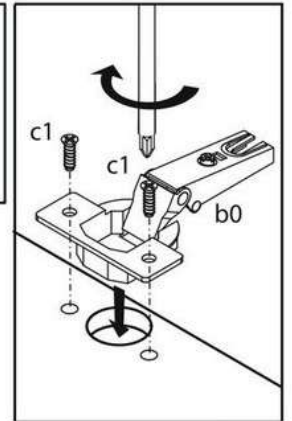
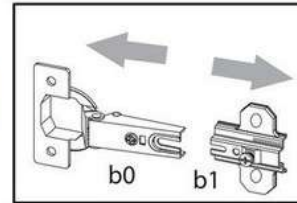
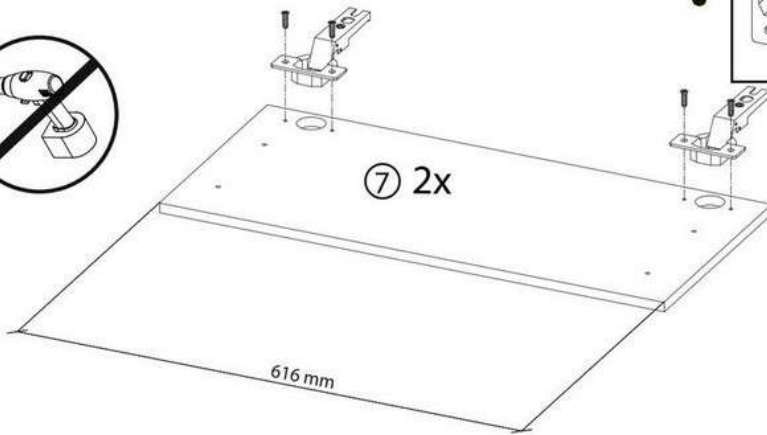
# 6



A=B



# 7



# 8

