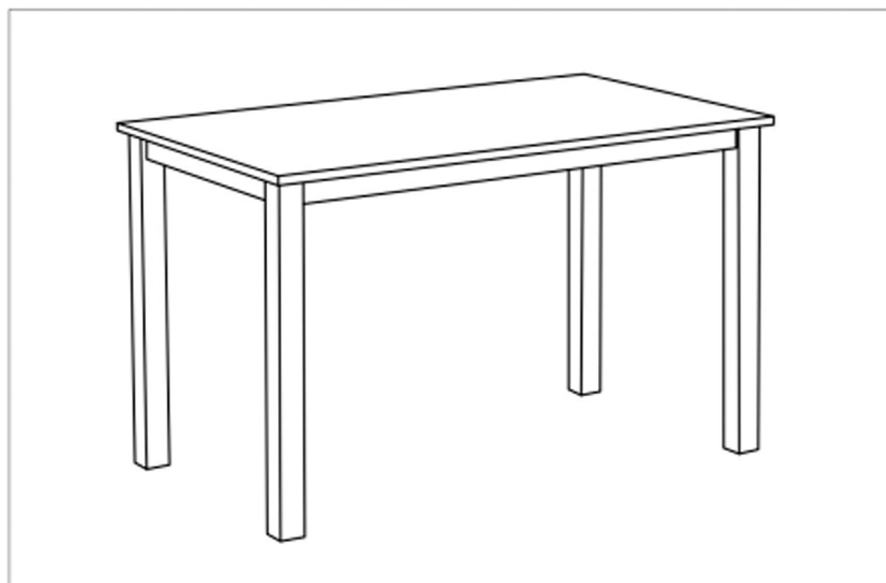
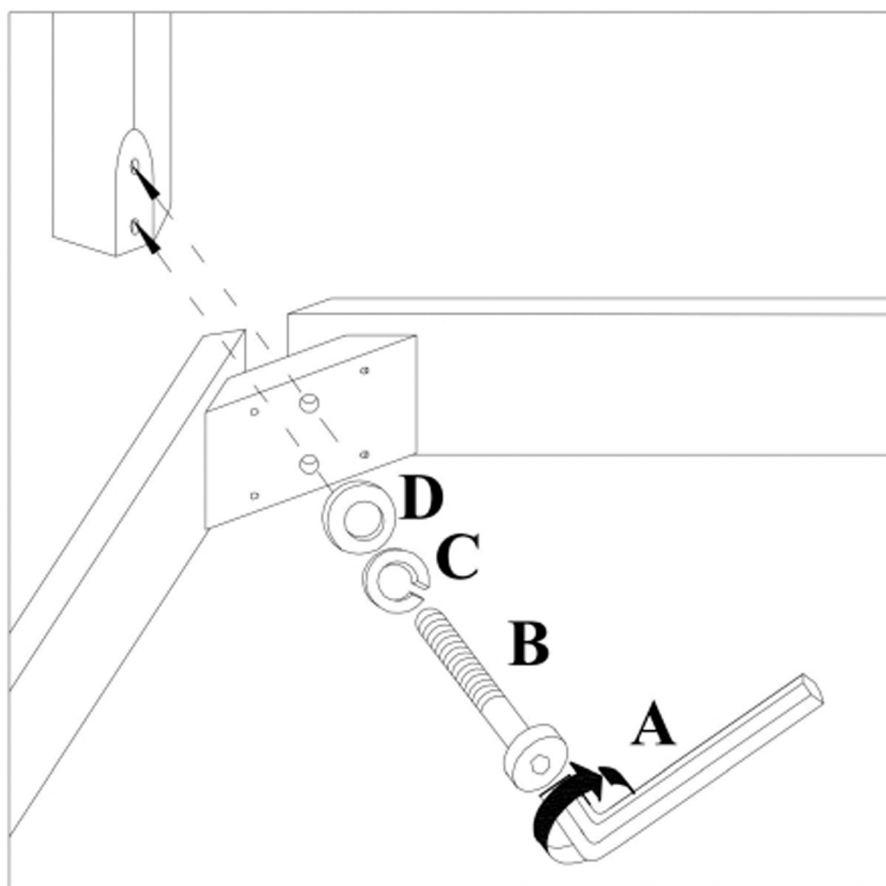


**FIORD**



①	1 SET
②	4 PCS.



A ( 1 PC)
B ( 8 PCS)
C ( 8 PCS)
D ( 8 PCS)